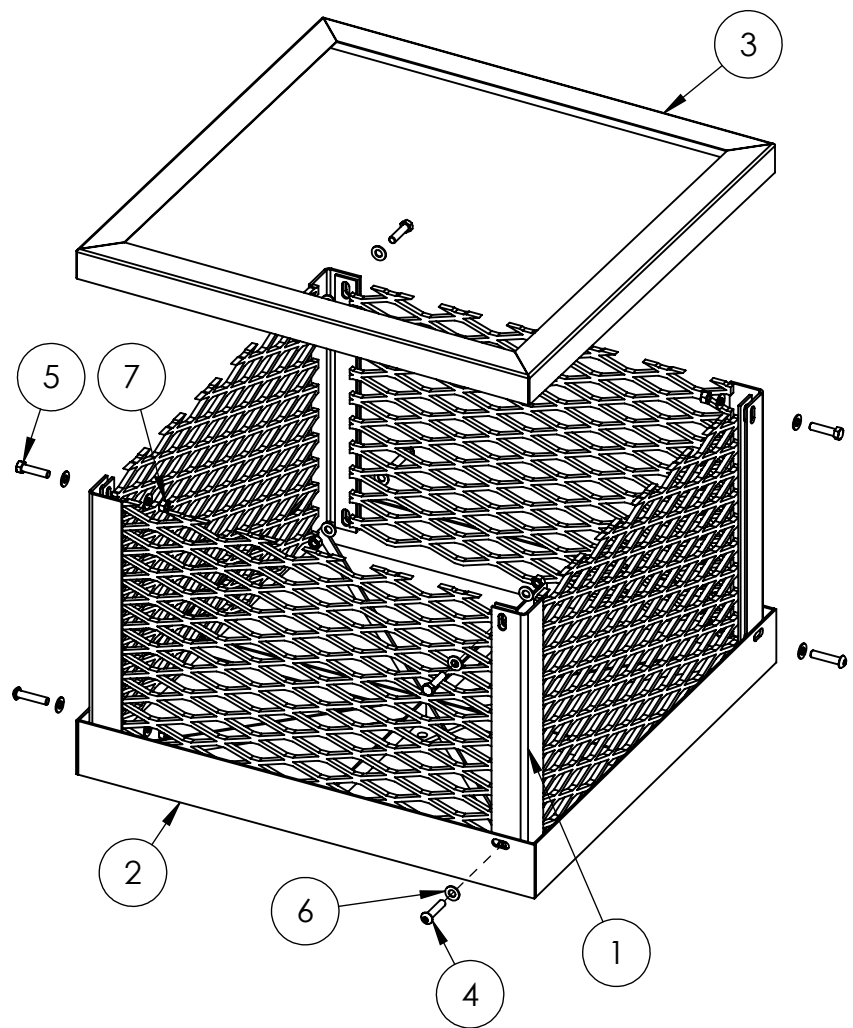
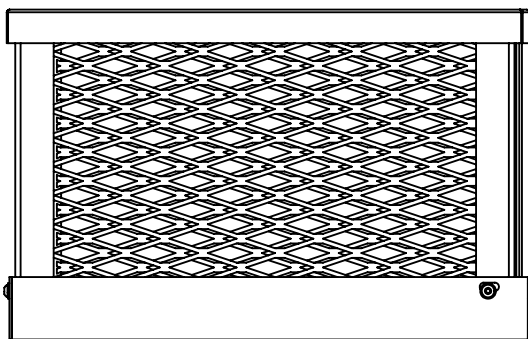
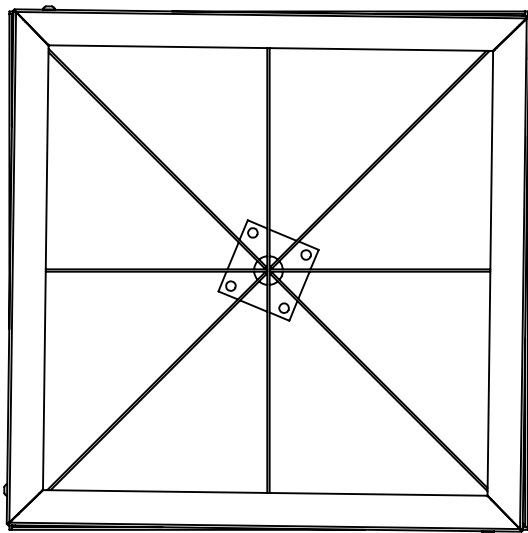


26"x26"x18" Expanded Metal Square Planter

9PL-202

ITEM NO.	PART NUMBER	DESCRIPTION	QTY.
1	653-641	Planter Side Expanded	4
2	653-606	Planter Base	1
3	653-602	Planter Top	1
4	516-031	3/8"x1-3/4" SS Btn Skt Cap Screw	4
5	516-058	3/8"x1-1/2" SS Hex Bolt	4
6	516-023	3/8" SS Flat Washer	16
7	516-028	3/8" SS Nylock Nut	8



1. With a 7/16" drill bit, drill out the holes of the sides and base.
2. Making sure the smooth finished sides of the planter side are out, stand two of the sides vertically inside the base as shown above. Connect the angle mount of one side, and the flat mount of the other at the top with the nuts, washers, and 3/8"x1-1/2" hex bolts. Connect the bottom holes with the nuts, washers, and 3/8"x1-3/4" Btn Skt Cap Screw going through the base and both sides. (Do not tighten the bolts until all of the bolts are in place.)
3. Repeat this process with the remaining two sides.
4. Place the lid over the side assembly.



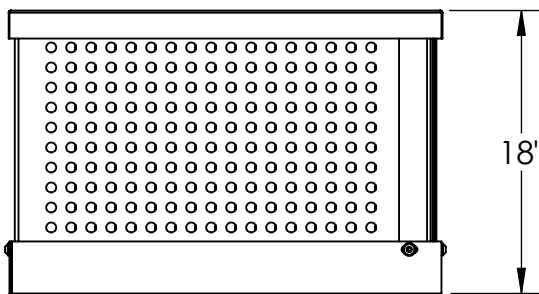
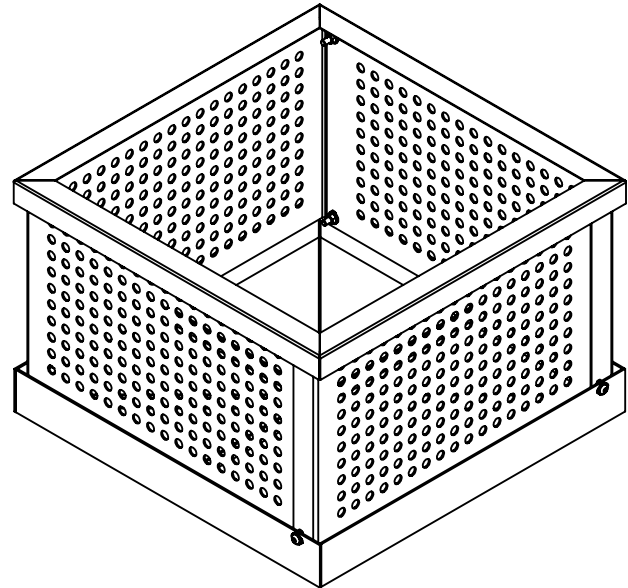
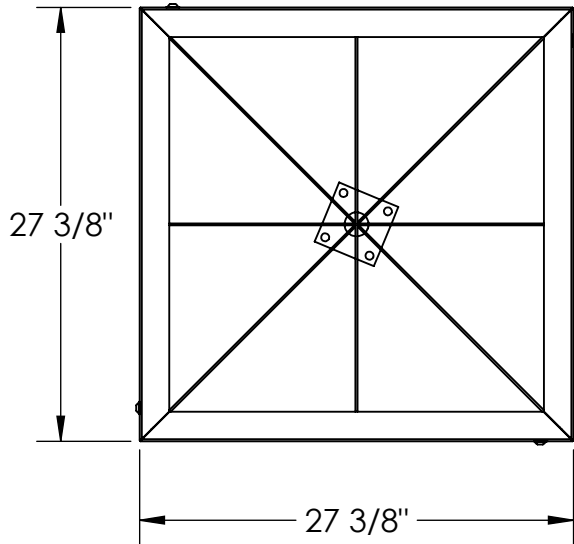
The Best Commercial Outdoor Furniture Available. Period.



In Accordance to California law: WARNING This product contains a chemical known to the State of California to cause cancer and birth defects or other reproductive harm.

SIZE
A

REV. X.01 SHEET 1 OF 1

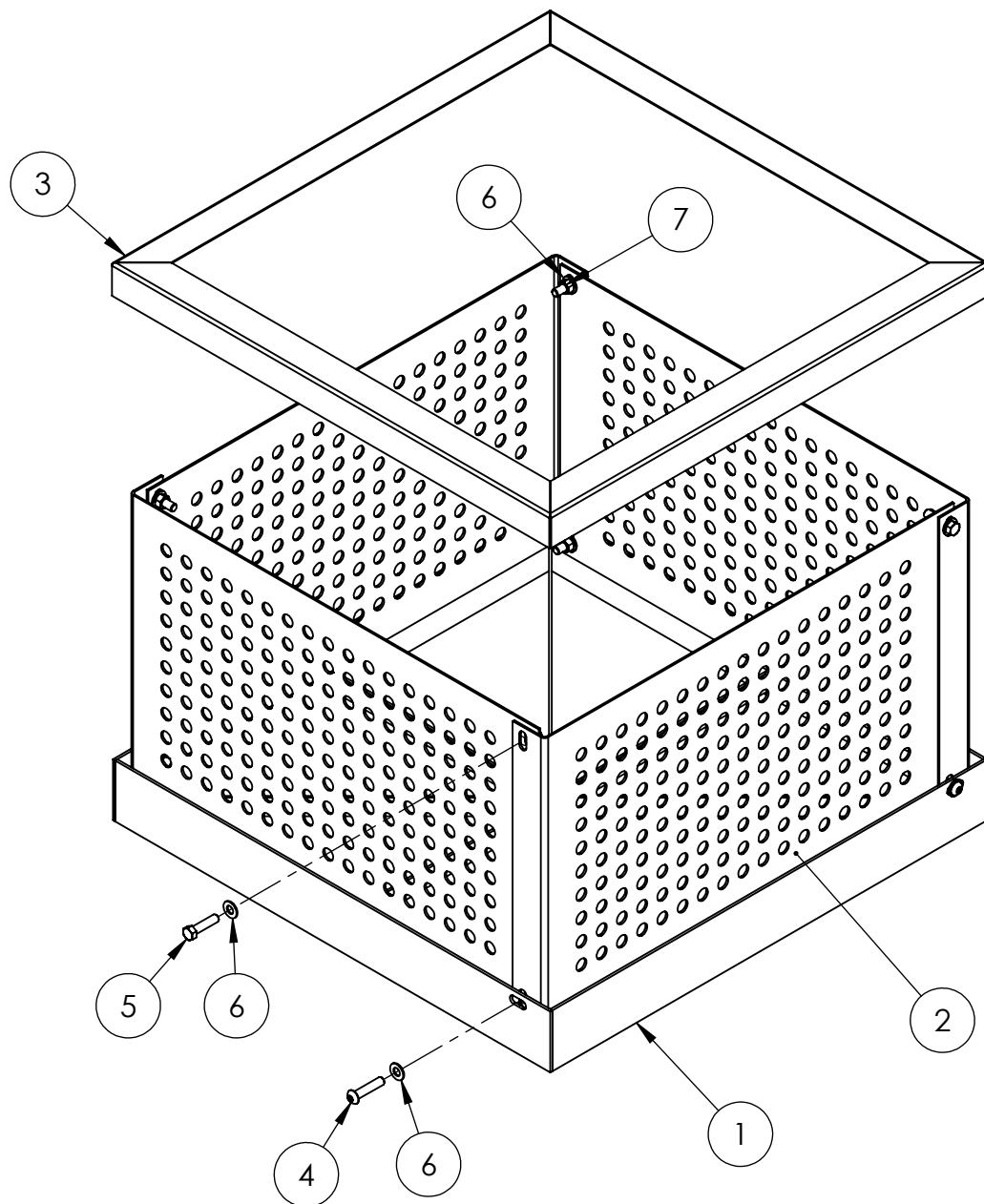


ITEM NO.	PART NUMBER	DESCRIPTION	QTY.
1	653-606	Planter Base	1
2	653-645	Planter Side Perforated	4
3	653-602	Planter Top	1
4	516-031	3/8"x1-3/4" SS Btn Skt Cap Screw	4
5	516-058	3/8"x1-1/2" SS Hex Bolt	4
6	516-023	3/8" SS Flat Washer	16
7	516-028	3/8" SS Nylock Nut	8



The Best Commercial Outdoor Furniture Available. Period.





1. 1. With a 7/16" drill bit, drill out the holes of the sides and base.
2. 2. Stand two of the sides vertically inside the base as shown above. Connect the angle mount of one side, and the flat mount of the other at the top with the nuts, washers, and 3/8"x1-1/2" hex bolts. Connect the bottom holes with the nuts, washers, and 3/8"x1-3/4" Btn Skt Cap Screw going through the base and both sides. (Do not tighten the bolts until all of the bolts are in place.)
3. 3. Repeat this process with the remaining two sides.
4. 4. Place the lid over the side assembly.

In accordance to California law: WARNING - This product contains a chemical known to the State of California to cause cancer and birth defects or other reproductive harm.



The Best Commercial Outdoor Furniture Available. Period.

