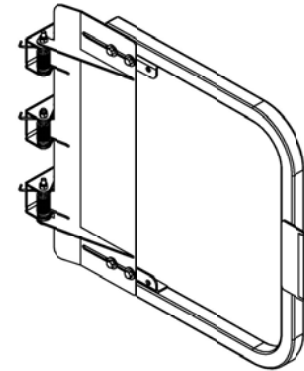
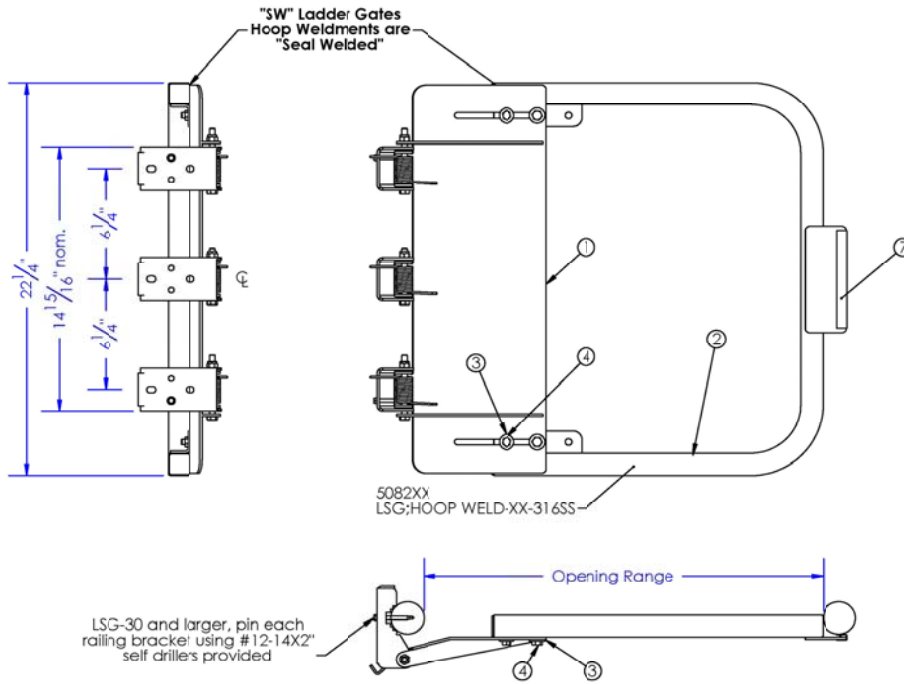


Model #	Description	*SS* Hoop Weldment Part# (Item No. 2 in B.O.M.)	Opening Ranges
LSG-40-SS-SW	Ladder Safety Gate SS-SW 40	508268	38-3/4" - 42-1/2"
LSG-44-SS-SW	Ladder Safety Gate SS-SW 44	508270	42-3/4" - 46-1/2"
LSG-48-SS-SW	Ladder Safety Gate SS-SW 48	508271	46-3/4" - 50-1/2"

ITEM NO.	PART NO.	DESCRIPTION	QTY.
1	502083	LSG; Hinge Plate LG Assembly SST	1
2	5082XX	LSG;HoopWeld-XX-316SS, 16ga	1
3	501948	Washer;Flat 5/16"X3/4", T316SS	4
4	501121	Nut;Nylock 5/16"18, 316SS	4
5	500430	Bolt;Hex 5/16" 18 X 3/4 SS	4
ITEM NO.	PART NUMBER	DESCRIPTION	QTY.
6	502076	LSG; Hardware Bag SST	1
6.1	500158	Bag Parts 4" X 6" Microloth	1
6.2	500459	Bolt; "U" 5/16" 18X1-1/2" PipeSS	3
6.3	501948	Washer;Flat 5/16"X3/4", T316SS	6
6.4	501121	Nut;Nylock 5/16"18, 316SS	6
6.5	500932	LSG;Cap Plastic for 5/16 bolt	6
6.6	506021	Screw;HexDrill 4X2SS	2
7	502040	WS;Single Lip Trim .390X.52	5.5
8	509210	LSG;Installation/O-M Manua	1



This drawing is loaned with the expressed agreement that the drawing and information therein contained are the property of Production Specities Corporation and will not be reproduced or copied in whole or in part nor used for the fabrication or construction of materials except upon the written permission of Production Specities Corporation first obtained and specific as to use. The acceptance of this drawing will be construed as the acceptance of the foregoing agreement. PS Doors and/or its respective suppliers may make improvements and/or changes in the product(s) or service(s) and/or the program(s) described herein at any time.

PART NAME: Ladder Safety Gate SS-SW-XX		PART #: LSG-XX-SS-SW	
VEIDOR:		DATE:	SHEET #: 1 OF 1
VEIDOR PART #:		DWG BY: EDS	DWG #:
MATERIAL: Type 316 Stainless Steel		CHECKED:	DATE:
APPLICATION:	SERIAL #:	SCALE: 1:8	REV: