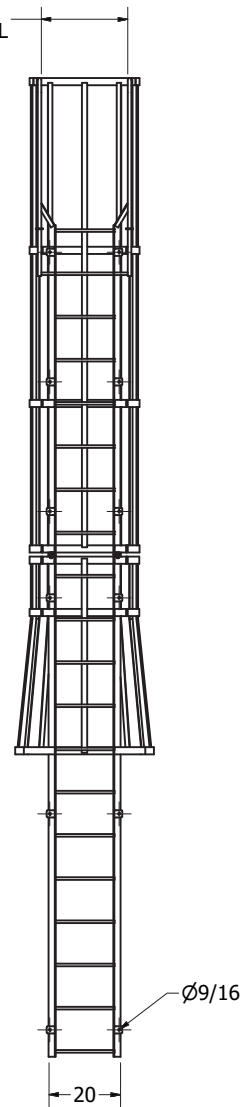
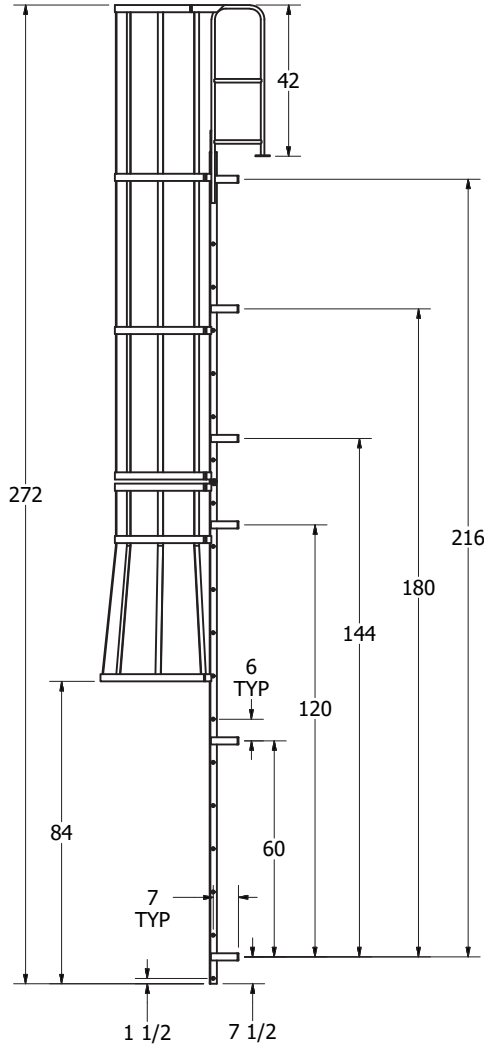
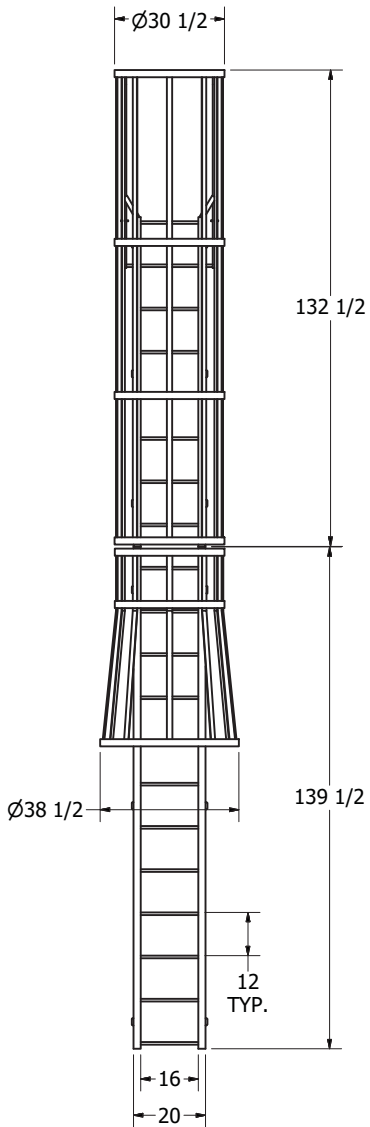


DETAIL A

24 HANDRAIL



NOTE:  
STADOFF BRACKET LOCATIONS

ARE +/-

DO NOT PREDRILL HOLES IN THE STRUCTURE.  
HOLES SHOULD BE MATCH DRILLED TO ENSURE PROPER  
ALIGNMENT

3D MODEL AVAILABLE IN STEP FILE FORMAT ON OUR WEBSITE

DRAWN NA	10/19/2011		
CHECKED			
APPROVED		TITLE	
PART D0570196-06 F20WC FOR CATALOG		F20WC	
		Drawing is computer generated, and print might not be to scale	
SIZE C	DWG NO D0570196-06 F20WC FOR CATALOG.dwg	REV	
DIMENSIONS IN INCHES UNLESS NOTED			SHEET 1 OF 1