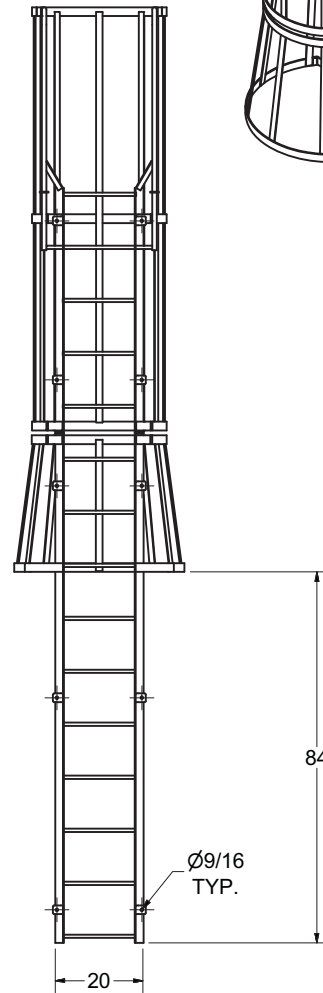
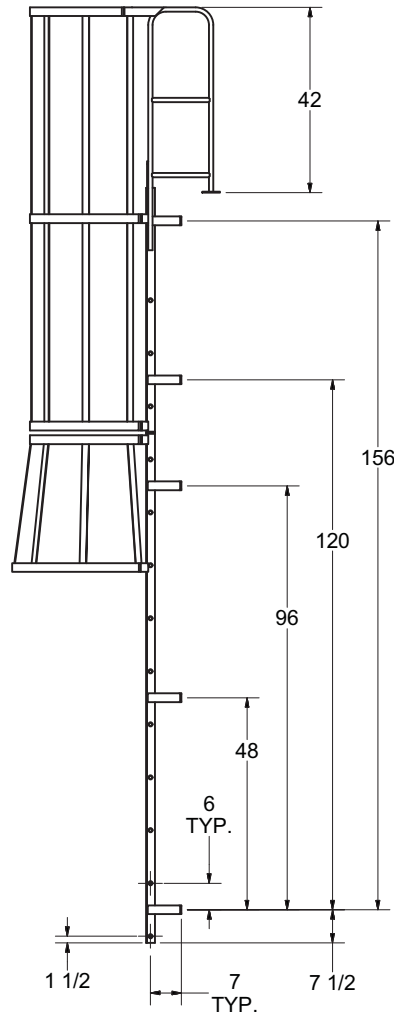
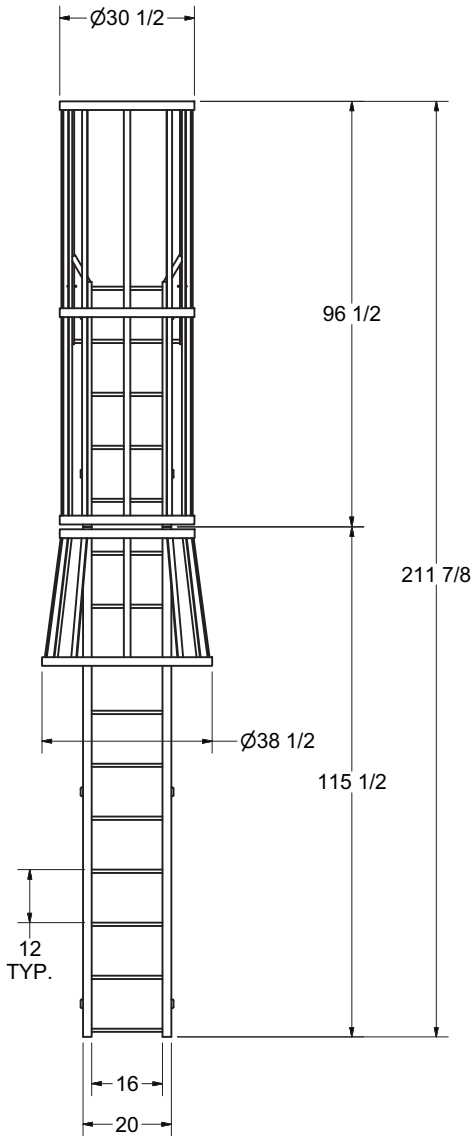
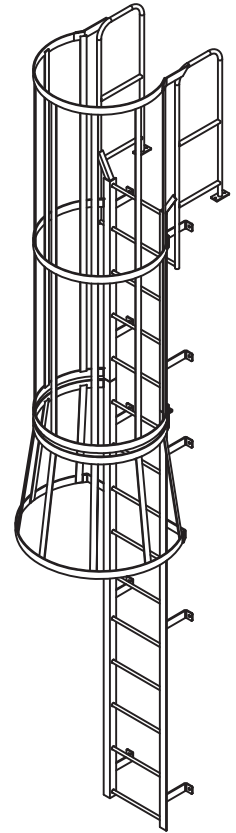


DETAIL A



NOTE:
STANDOFF BRACKET LOCATIONS

ARE +/- 1"

DO NOT PREDRILL HOLES IN THE STRUCTURE.
HOLES SHOULD BE MATCH DRILLED TO INSURE
PROPER ALIGNMENT.



3D MODEL AVAILABLE IN STEP FILE FORMAT ON OUR WEBSITE

DRAWN	NA	6/25/2018	
CHECKED			
APPROVED			TITLE
PART	D0570196-01 F15WC FOR CATALOG		F15WC
Drawing is computer generated, and print might not be to scale			REV
SIZE	DWG NO		A
C	D0570196-01 F15WC FOR CATALOG .dwg		
DIMENSIONS IN INCHES UNLESS NOTED			SHEET 1 OF 1