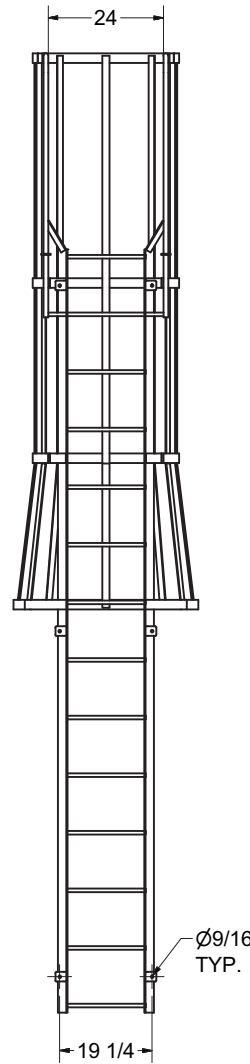
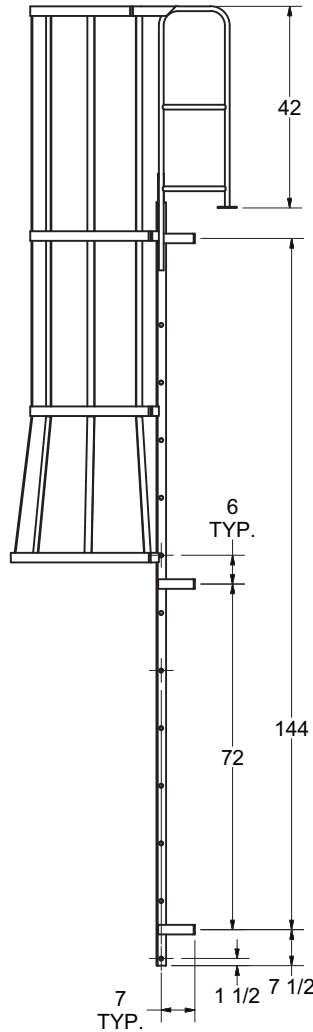
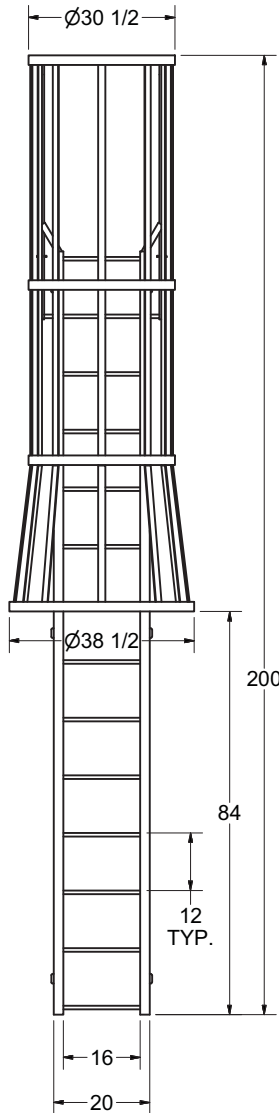


DETAIL A



NOTE:
STANDOFF BRACKET LOCATIONS
ARE ± 1".
DO NOT PREDRILL HOLES IN THE
STRUCTURE.
HOLES SHOULD BE MATCH DRILLED
TO INSURE PROPER ALIGNMENT

3D MODEL AVAILABLE IN STEP FILE FORMAT ON OUR WEBSITE



DRAWN GG	6/6/2018		
CHECKED			
APPROVED		TITLE	
PART 3570264 F14WC FOR CATALOG		F14WC	
		Drawing is computer generated, and print might not be to scale	
SIZE	DWG NO	REV	
C	3570264 F14WC FOR CATALOG.dwg	A	
DIMENSIONS IN INCHES UNLESS NOTED			SHEET 1 OF 1