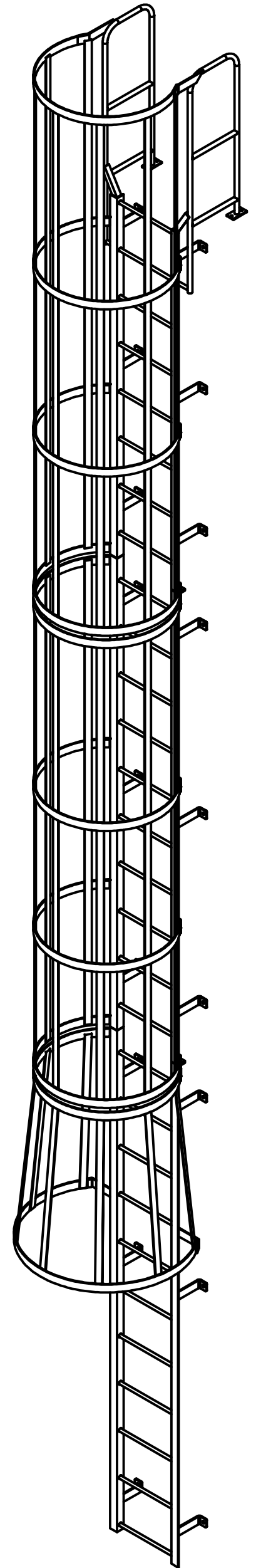
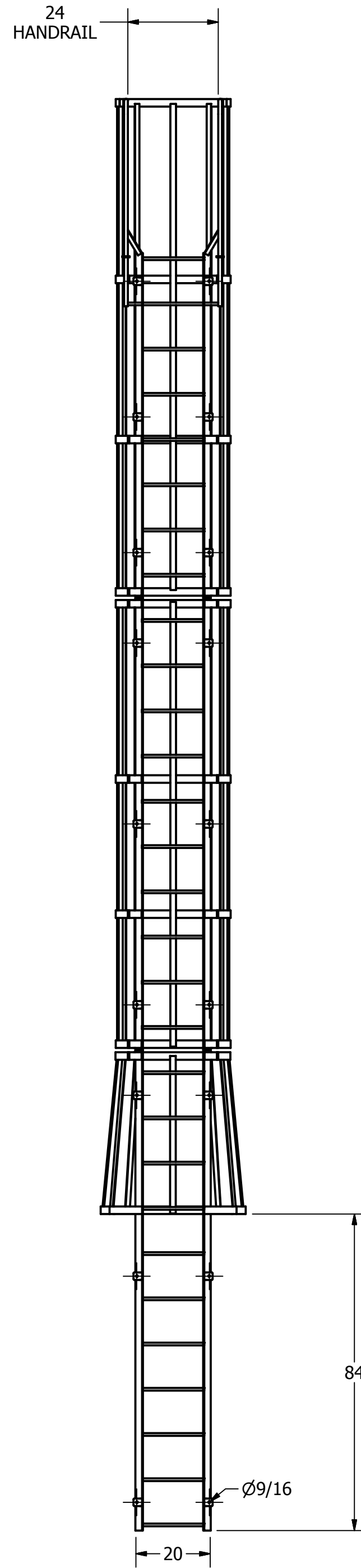
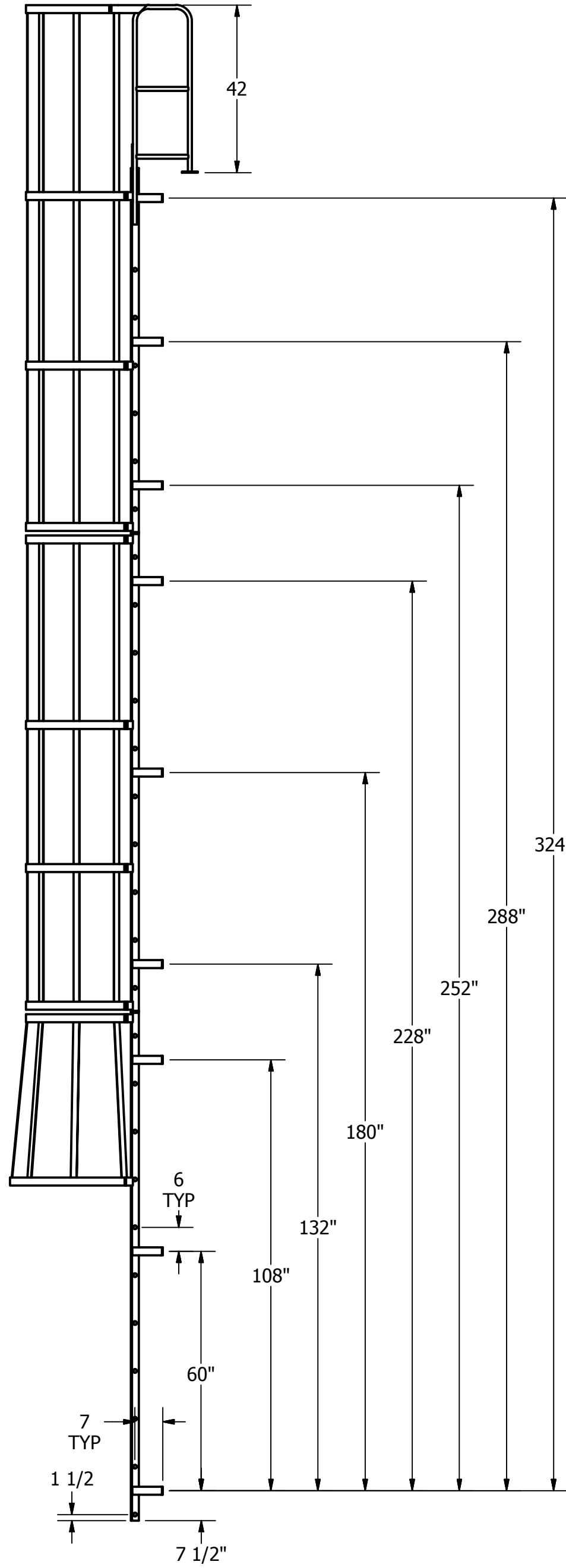
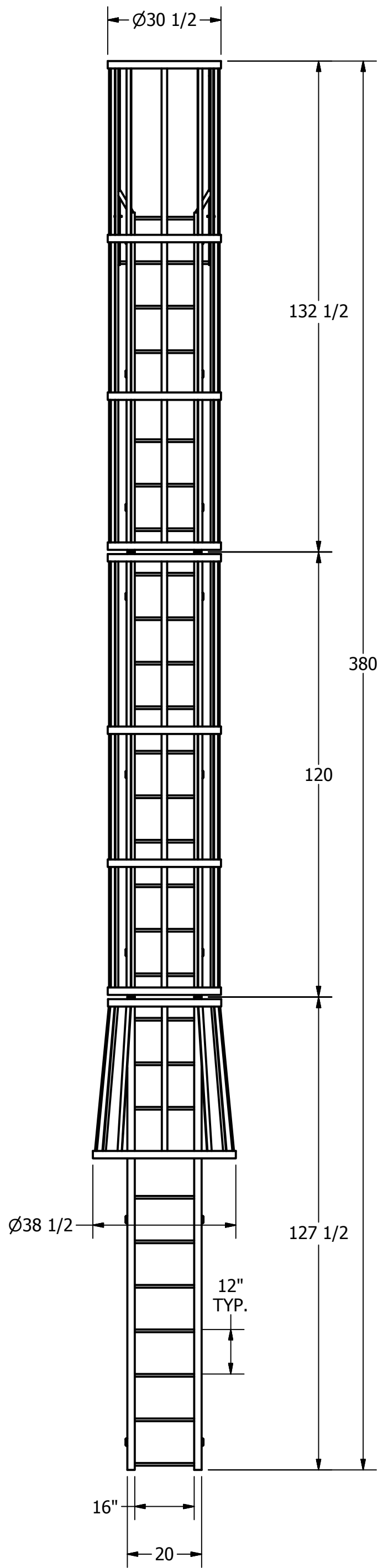


DETAIL A



3D MODEL AVAILABLE IN STEP FILE FORMAT ON OUR WEBSITE

NOTE:
STANDOFF BRACKET LOCATIONS

ARE +/- 1"

DO NOT PREDRILL HOLES IN THE STRUCTURE.
HOLES SHOULD BE MATCH DRILLED TO ENSURE
PROPER ALIGNMENT.

DRAWN NA	2/23/2018			
CHECKED		TITLE		
APPROVED		PART F29WC		
PART D0570196-15 F29WC FOR CATALOG		Drawing is computer generated, and print might not be to scale		
SIZE	QUOTE NO	DWG NO	REV	
C	Q091310DIA	D0570196-15 F29WC FOR CATALOG.dwg	A	
SCALE				SHEET 1 OF 1