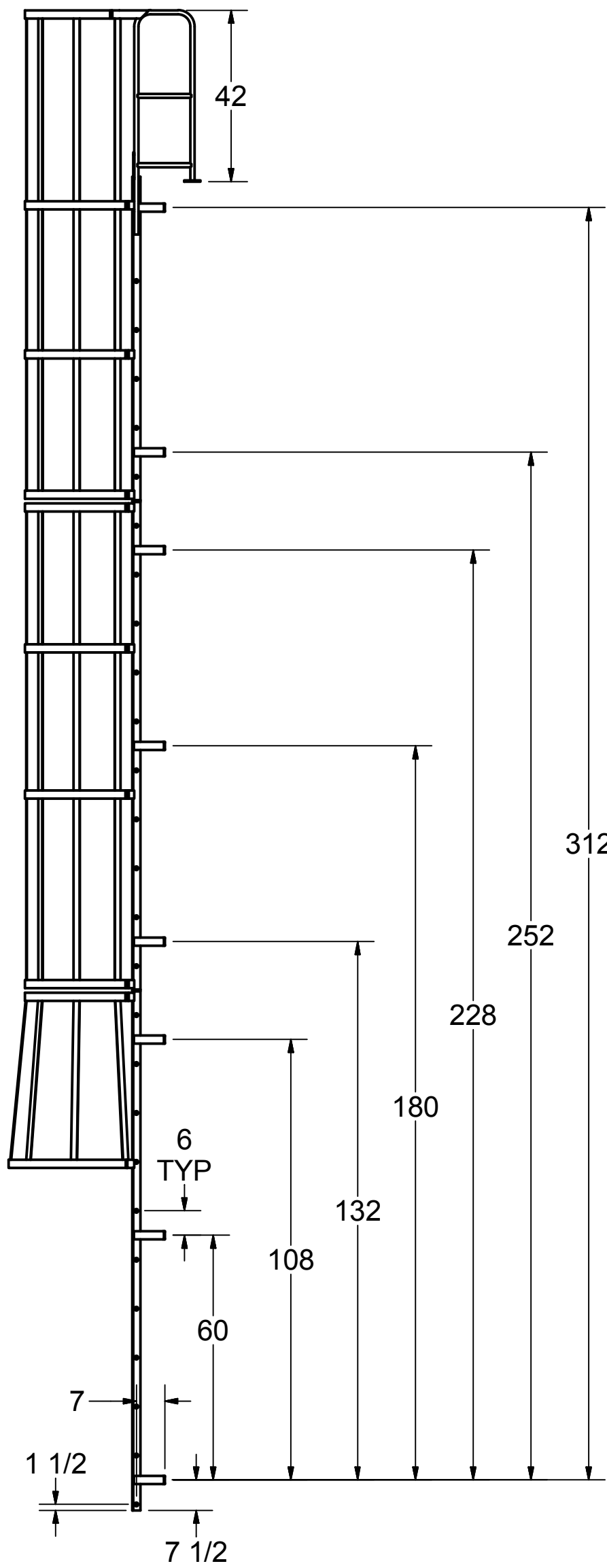
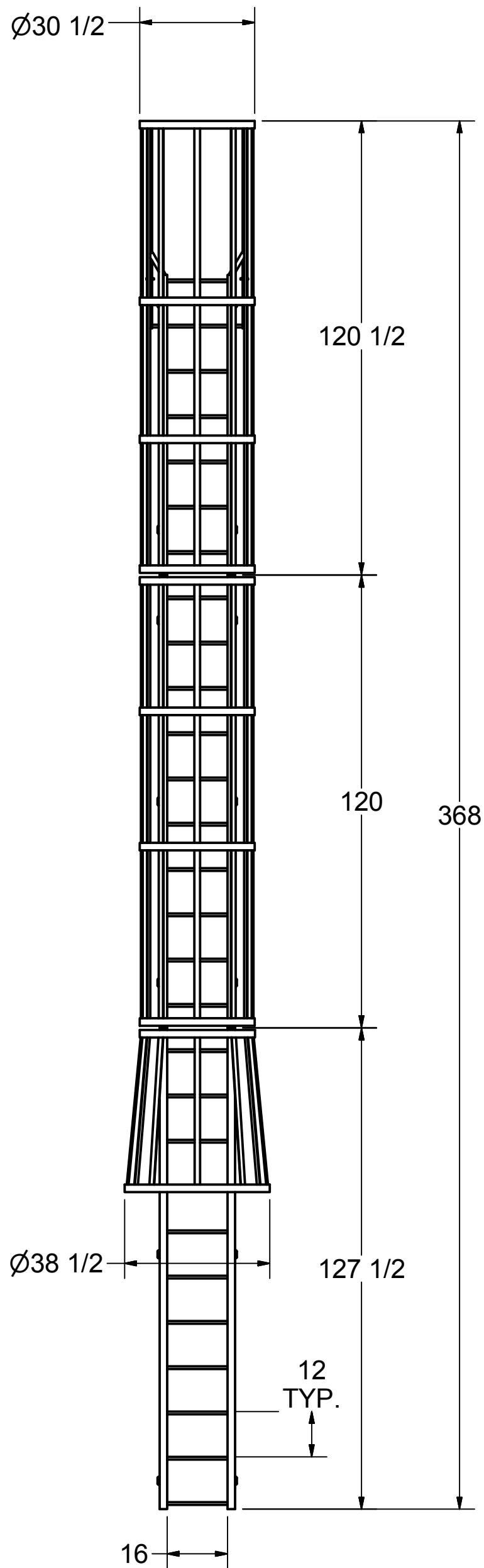
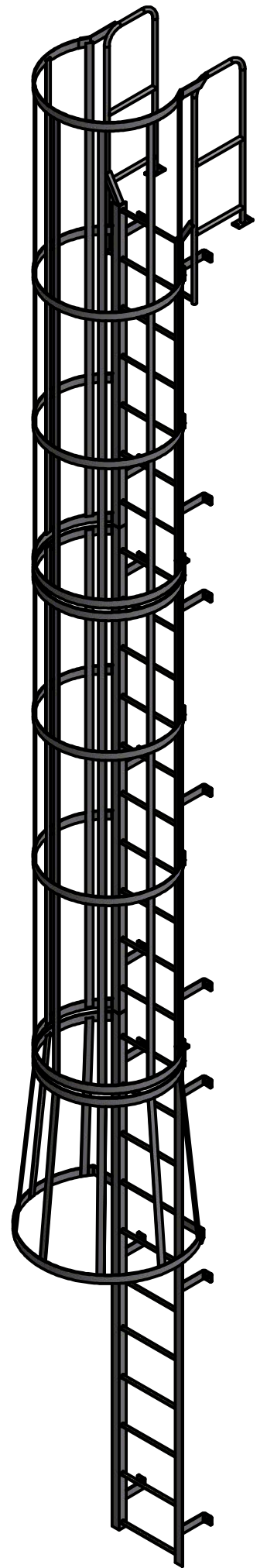
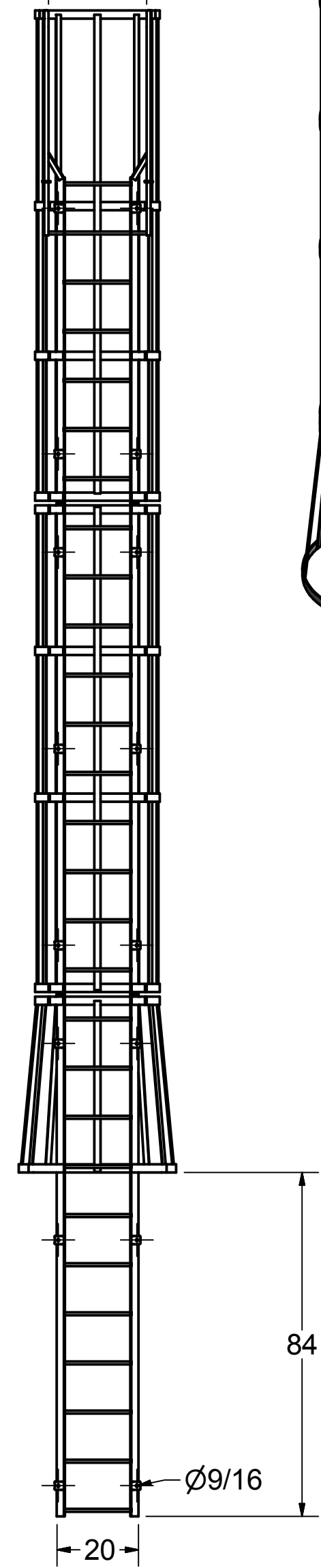


DETAIL A



24  
HANDRAIL



NOTE:  
STANDOFF BRACKET LOCATIONS

ARE +/- 1"

DO NOT PREDRILL HOLES IN THE STRUCTURE.  
HOLES SHOULD BE MATCH DRILLED TO ENSURE  
ALIGNMENT.

DRAWN NA	6/15/2016		
CHECKED			
APPROVED		TITLE	
PART D0570196-14 F28WC FOR CATALOG		F28WC	
		Drawing is computer generated, and print might not be to scale	
SIZE C	DWG NO D0570196-14 F28WC FOR CATALOG.dwg	REV A	
DIMENSIONS IN INCHES UNLESS NOTED			SHEET 1 OF 1