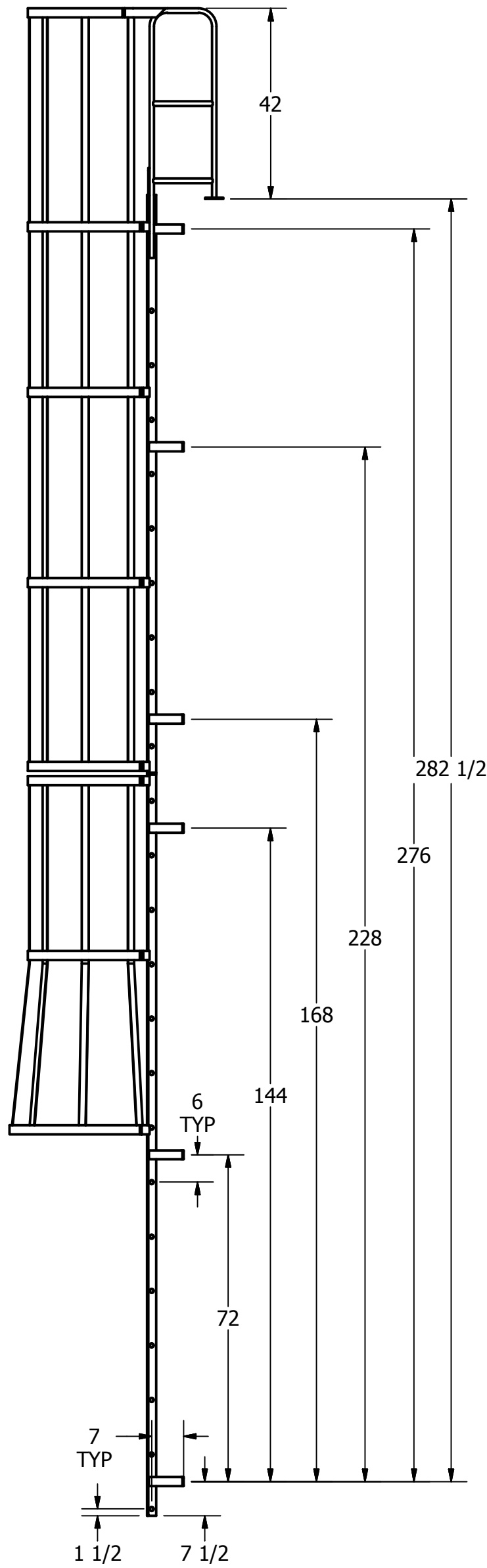
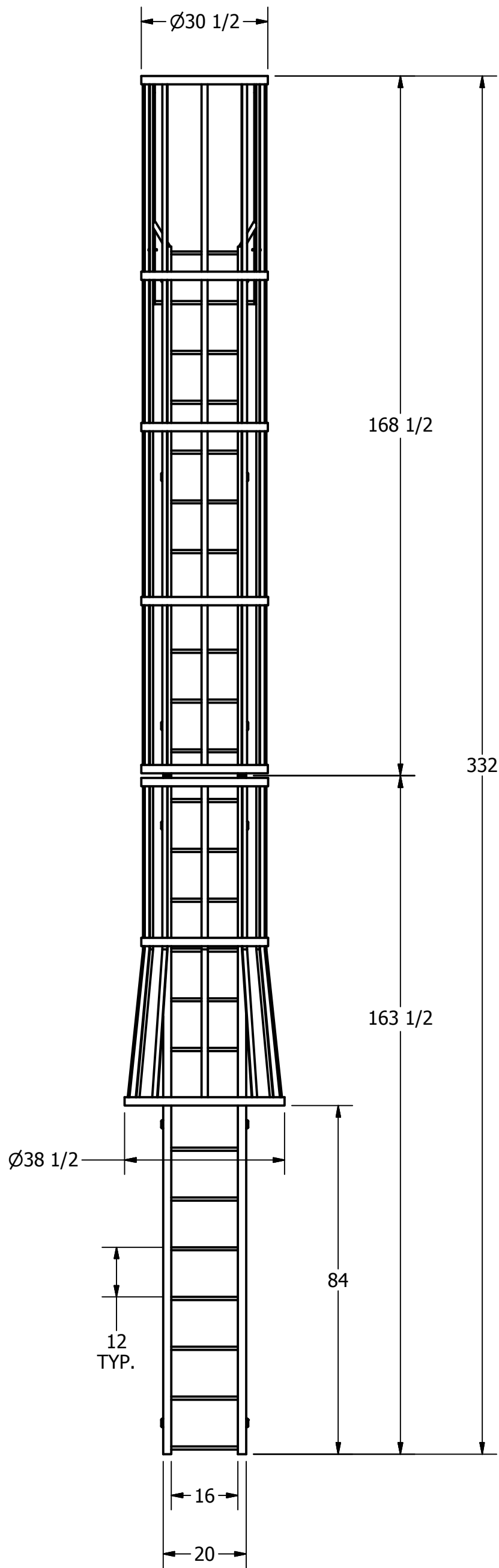
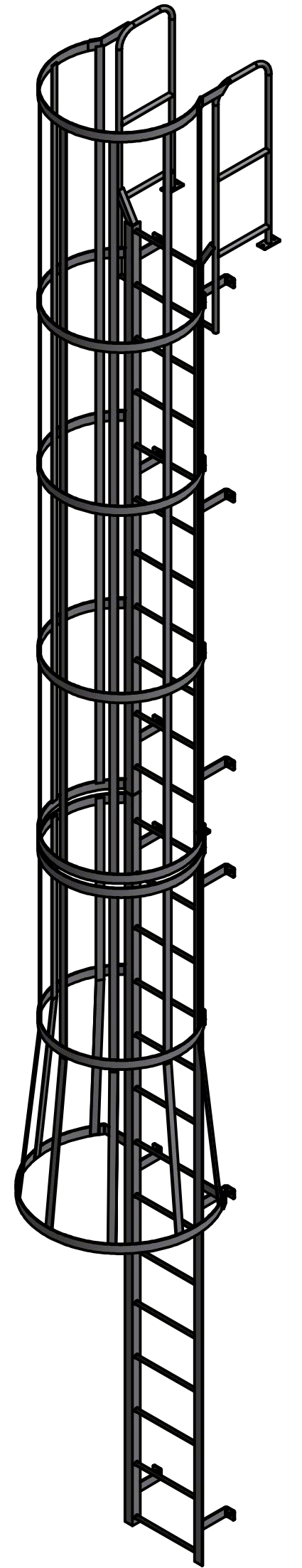
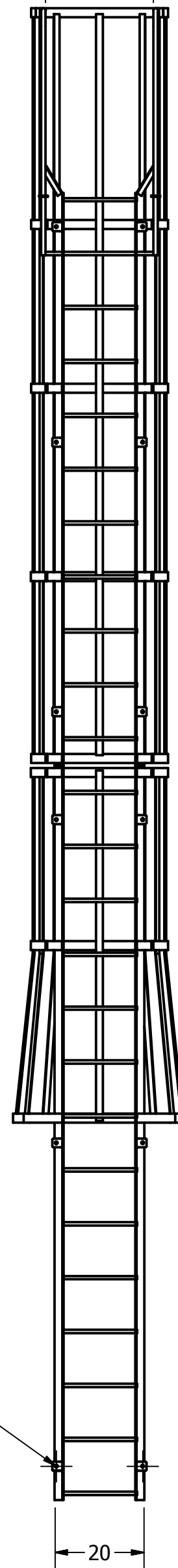


DETAIL A

24
HANDRAIL



Ø9/16
THRU



NOTE:
STANDOFF BRACKET LOCATIONS

ARE +/- 1"

DO NOT PREDRILL HOLES IN THE STRUCTURE.
HOLES SHOULD BE MATCH DRILLED TO ENSURE
PROPER ALIGNMENT.

3D MODEL AVAILABLE IN STEP FILE FORMAT ON OUR WEBSITE

DRAWN NA	4/27/2012		
CHECKED		TITLE	
APPROVED		F25WC	
PART D0570196-11 F25WC FOR CATALOG		Drawing is computer generated, and print might not be to scale	
		SIZE C	DWG NO D0570196-11 F25WC FOR CATALOG.dwg
		QUOTE	REV A
			SHEET 1 OF 1