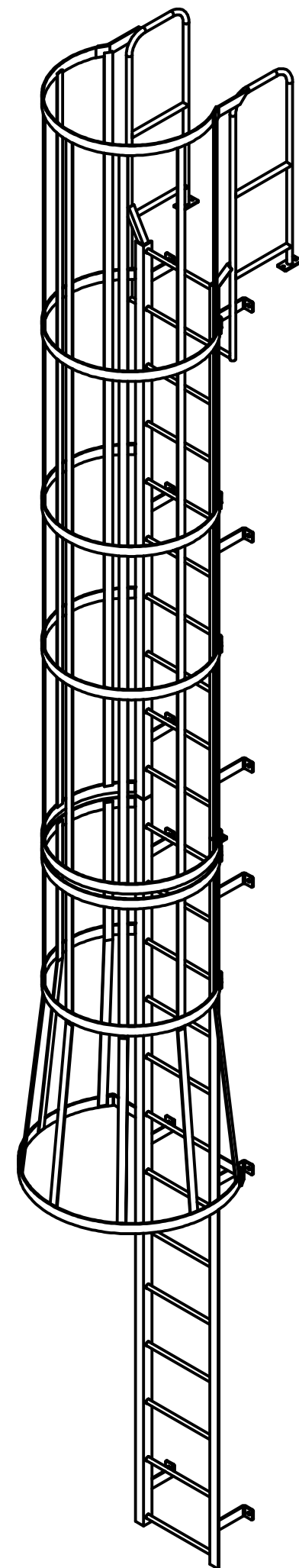
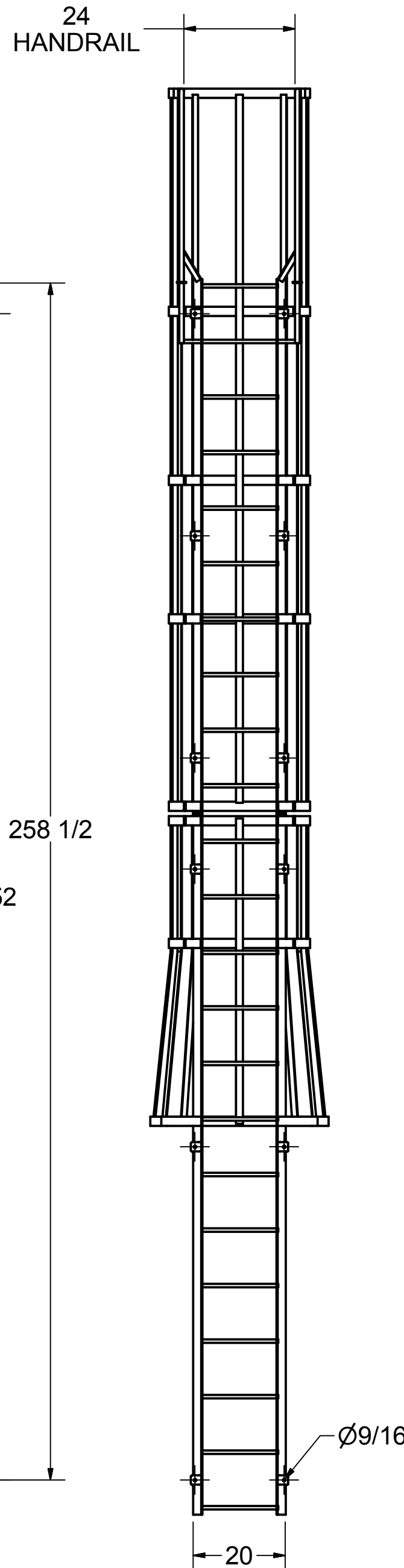
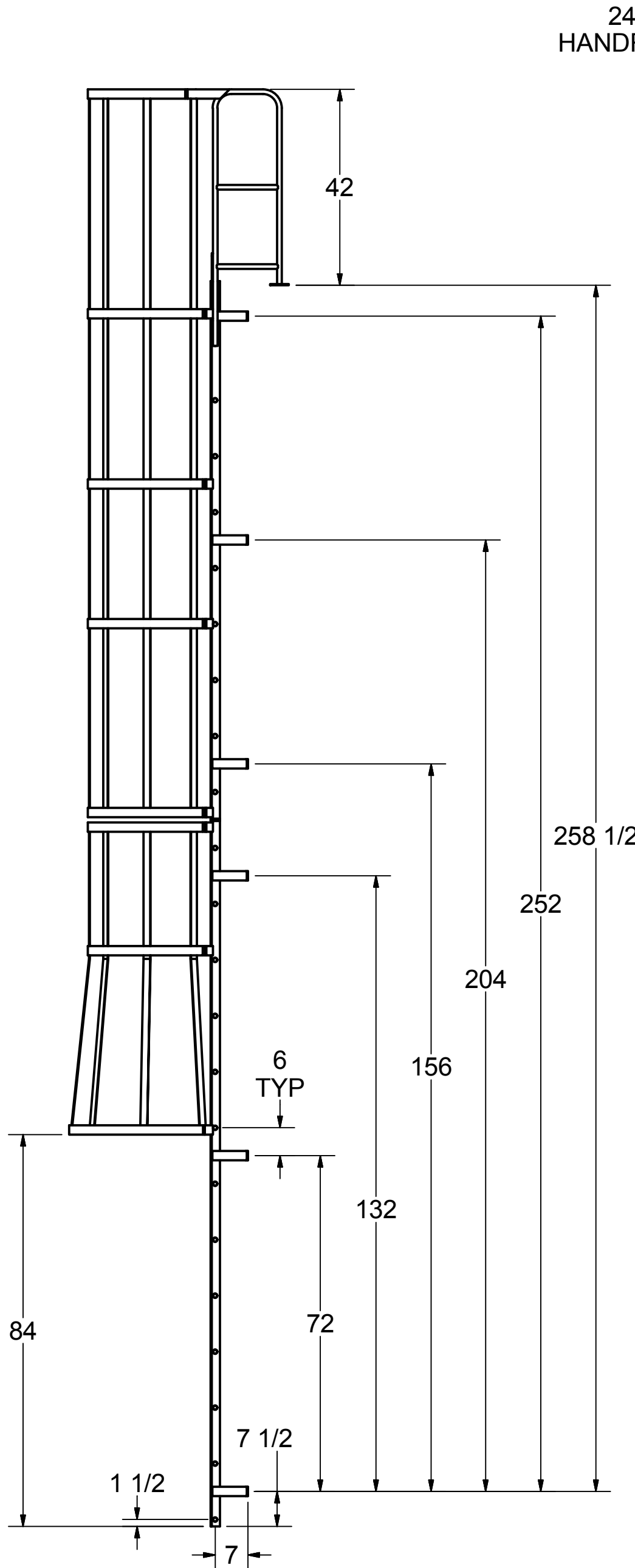
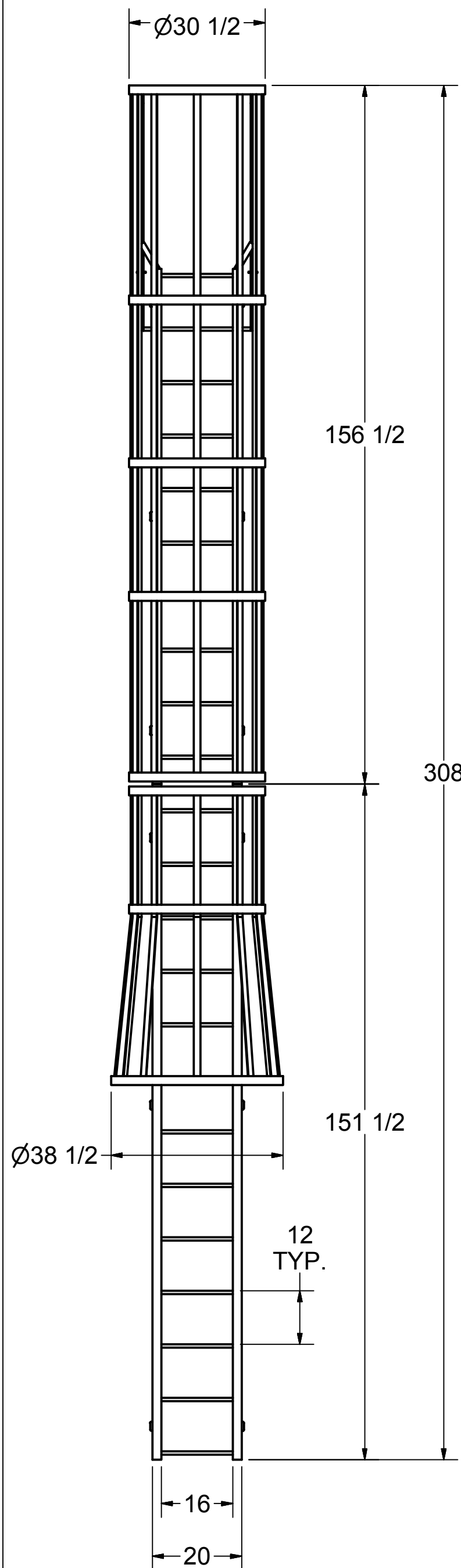


DETAIL A



NOTE:
STANDOFF BRACKET LOCATIONS

ARE +/- 1"

DO NOT PREDRILL HOLES IN THE STRUCTURE
HOLES SHOULD BE MATCH DRILLED TO INSURE PROPER
ALIGNMENT.

3D MODEL AVAILABLE IN STEP FILE FORMAT ON OUR WEBSITE

DRAWN	NA	6/25/2013		
CHECKED				
APPROVED			TITLE	
PART	D0570196-09 F23WC FOR CATALOG		F23WC	
			Drawing is computer generated, and print might not be to scale	
SIZE	C	DWG NO	D0570196-09 F23WC FOR CATALOG.dwg	REV
				A
DIMENSIONS IN INCHES UNLESS NOTED				SHEET 1 OF 1