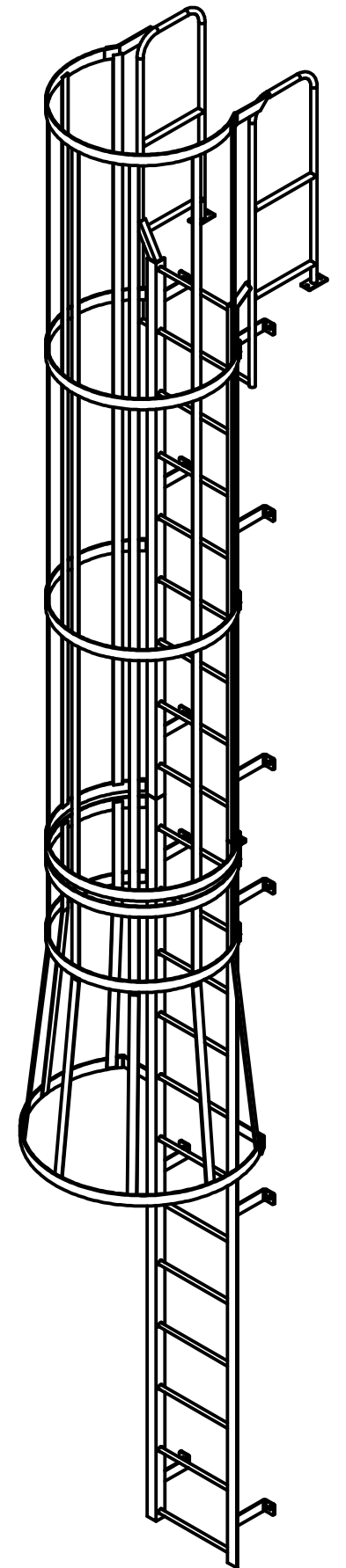
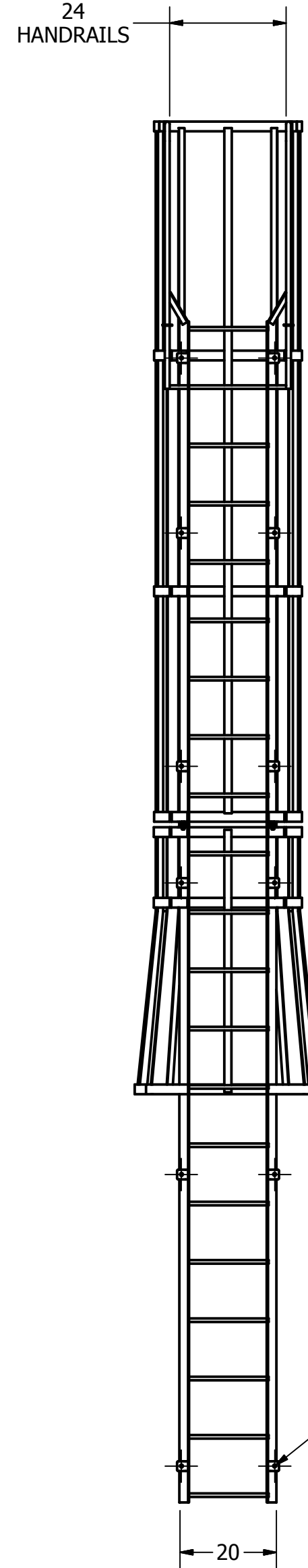
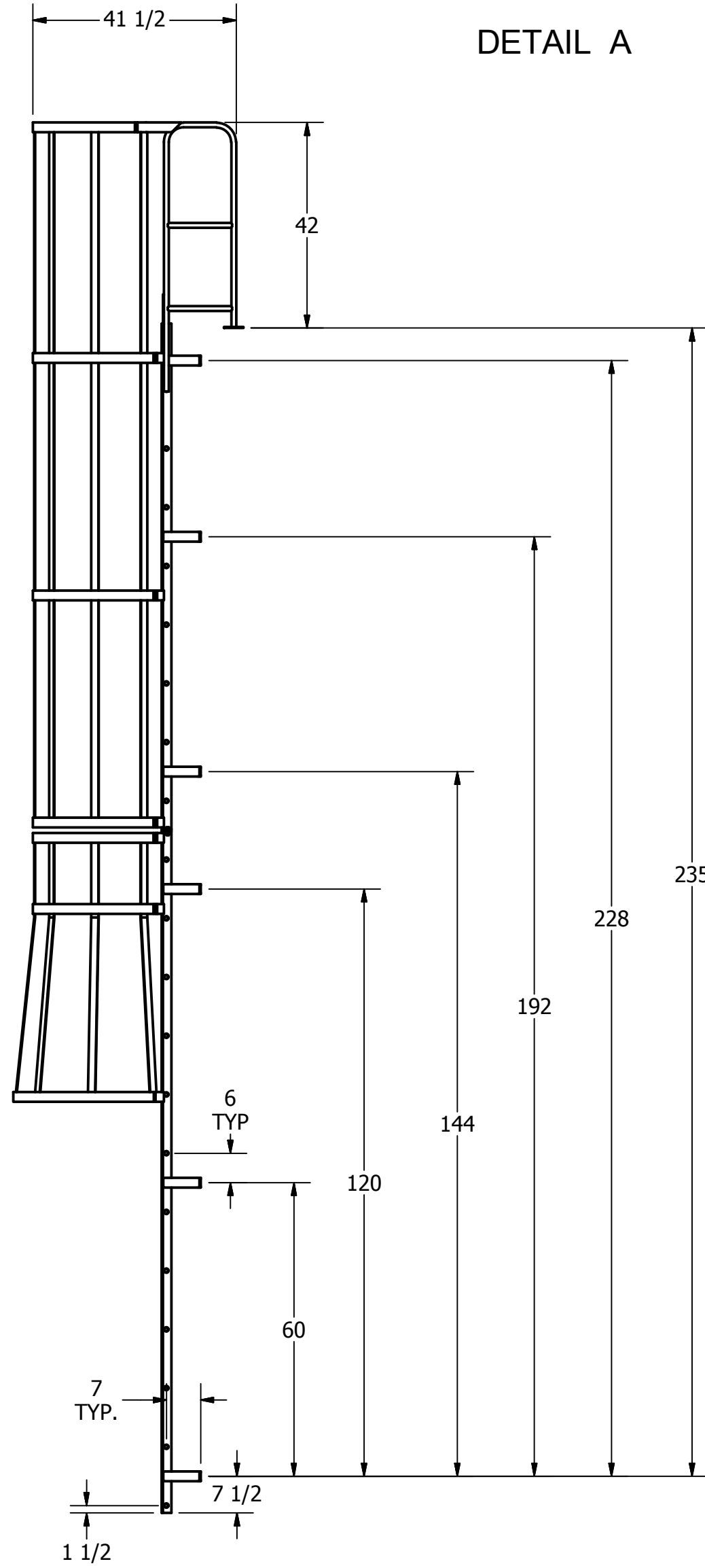
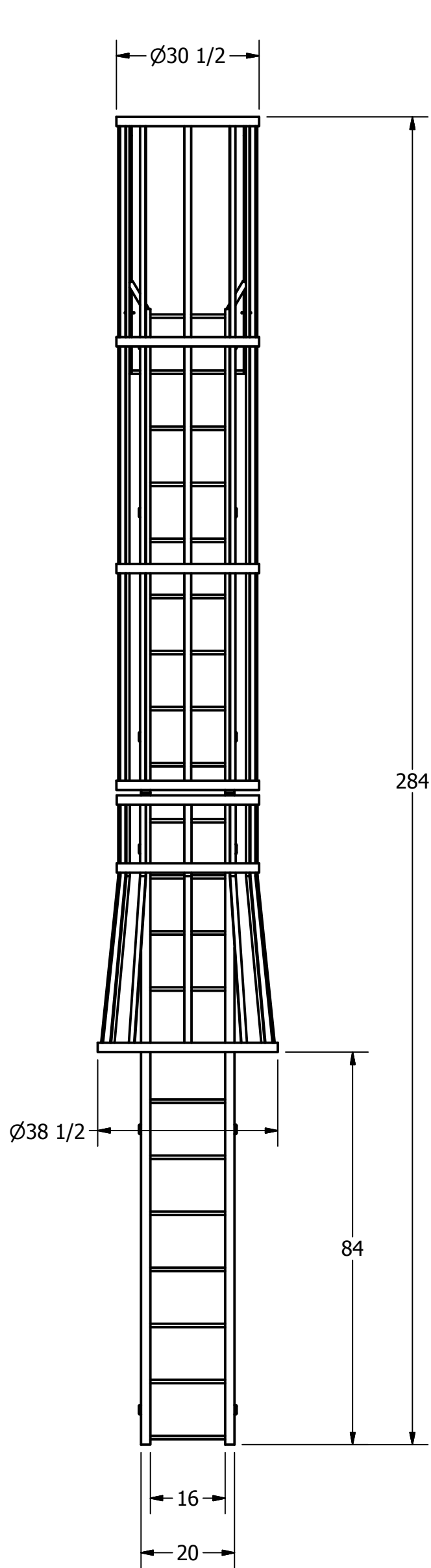


DETAIL A



NOTE:
STANDOFF BACKET LOCATIONS

ARE +/- 1"

DO NOT PREDRILL HOLES IN THE STRUCTURE.
HOLES SHOULD BE MATCH DRILLED TO ENSURE
PROPER ALIGNMENT.

3D MODEL AVAILABLE IN STEP FILE FORMAT ON OUR WEBSITE

DRAWN NA	2/22/2012		
CHECKED			
APPROVED		TITLE	
PART D0570196-07 F21WC FOR CATALOG		F21WC	
		Drawing is computer generated, and print might not be to scale	
SIZE C	DWG NO D0570196-07 F21WC FOR CATALOG.dwg	REV A	
DIMENSIONS IN INCHES UNLESS NOTED			SHEET 1 OF 1