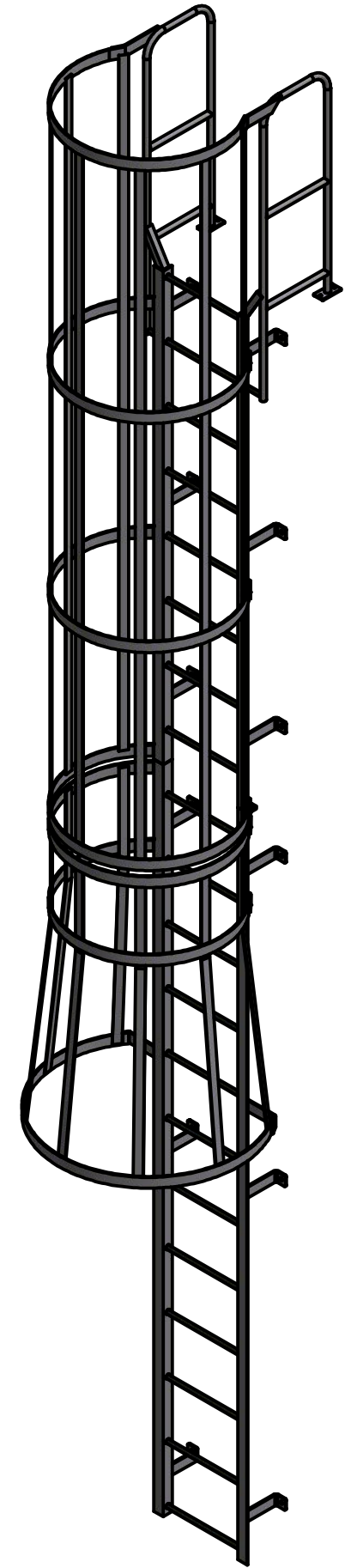
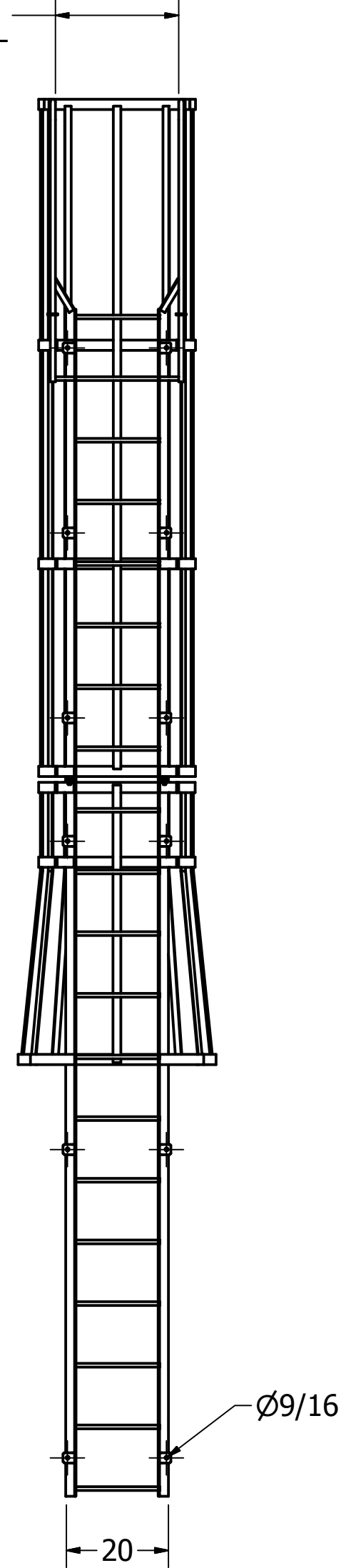
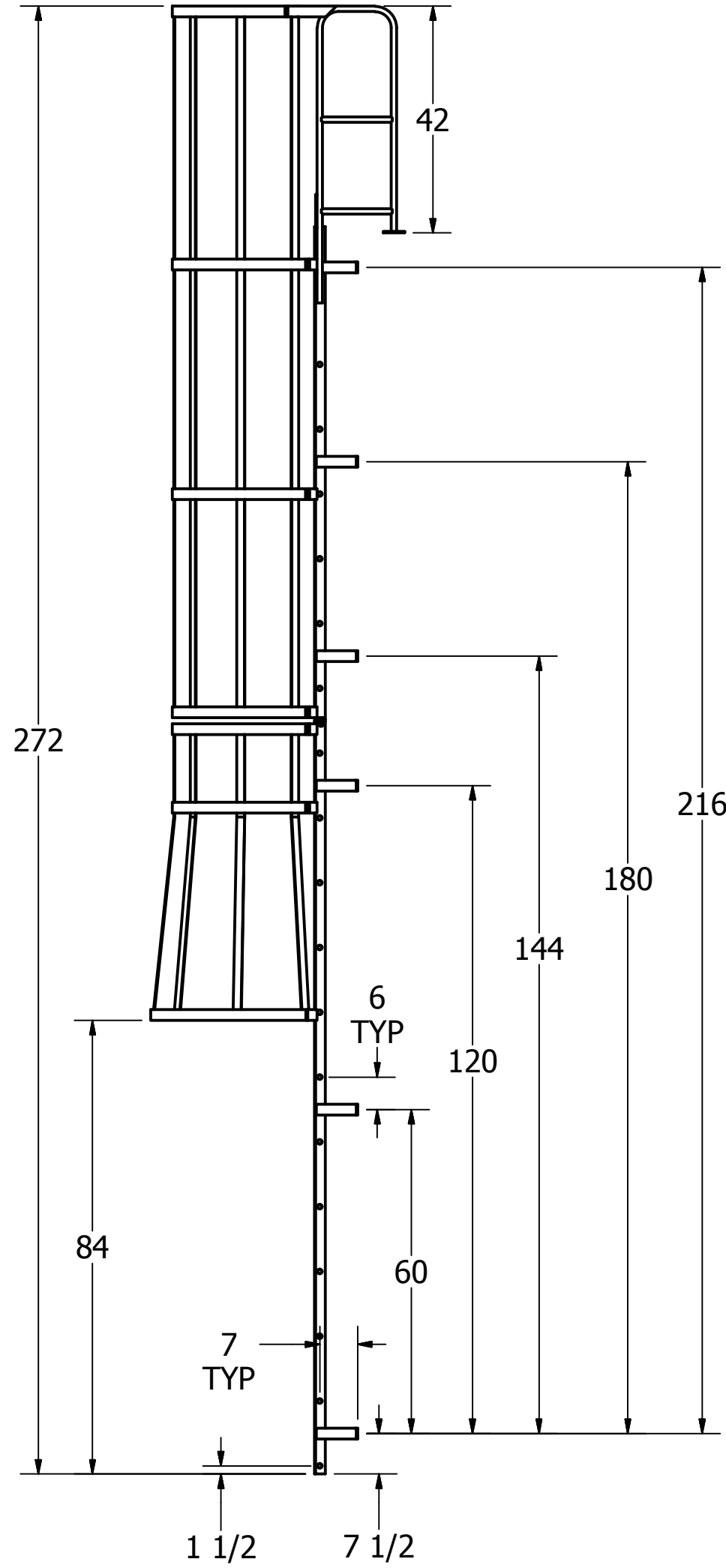
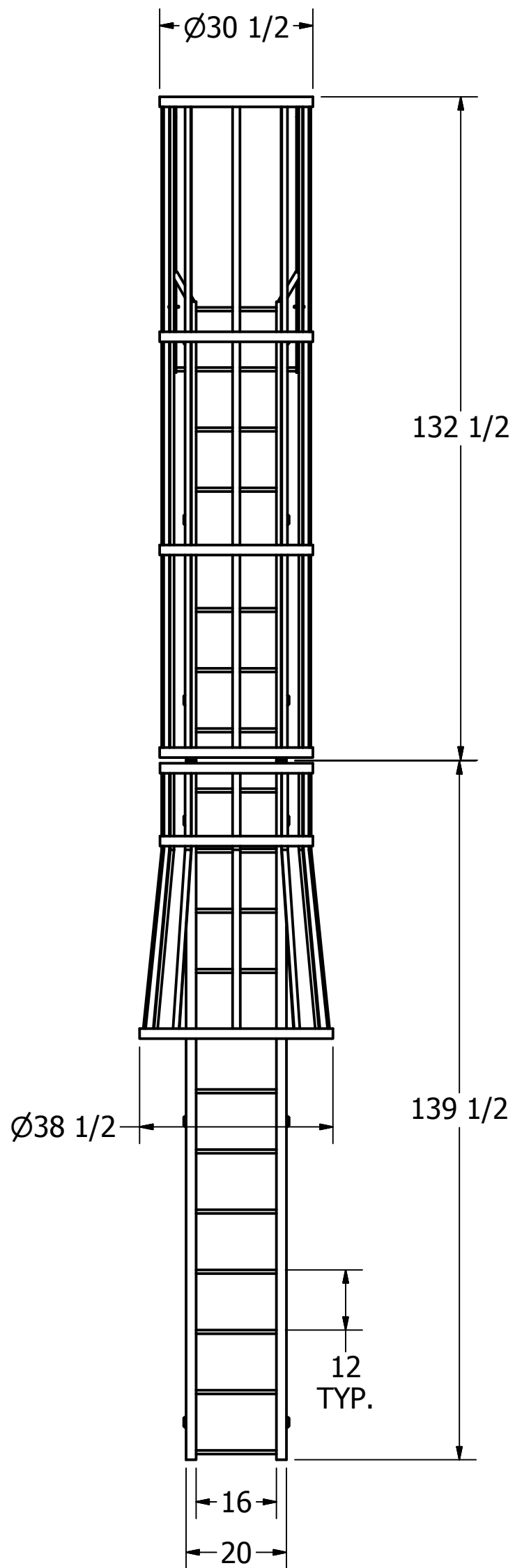


DETAIL A

24
HANDRAIL



NOTE:
STADOFF BRACKET LOCATIONS

ARE +/-

DO NOT PREDRILL HOLES IN THE STRUCTURE.
HOLES SHOULD BE MATCH DRILLED TO ENSURE PROPER
ALIGNMENT

3D MODEL AVAILABLE IN STEP FILE FORMAT ON OUR WEBSITE

DRAWN NA	10/19/2011		
CHECKED			
APPROVED		TITLE	
PART D0570196-06 F20WC FOR CATALOG		F20WC	
		Drawing is computer generated, and print might not be to scale	
SIZE	DWG NO	REV	
C	D0570196-06 F20WC FOR CATALOG.dwg		
DIMENSIONS IN INCHES UNLESS NOTED			SHEET 1 OF 1