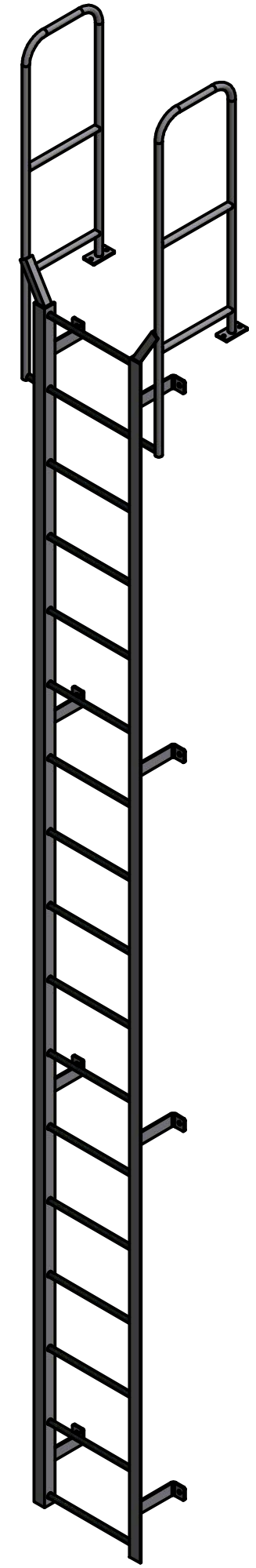
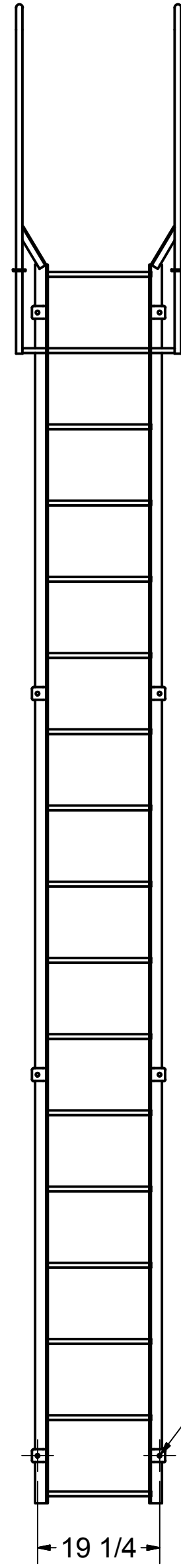
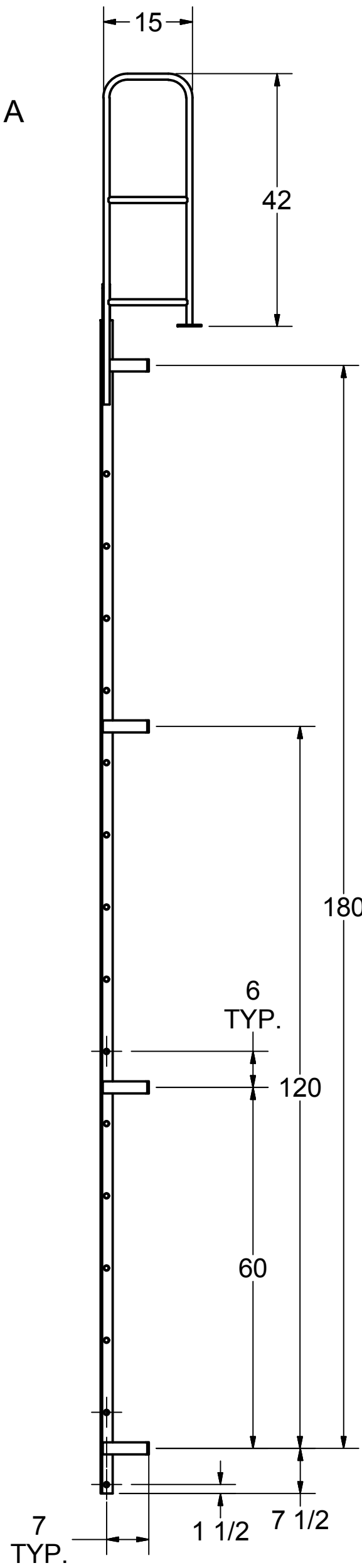
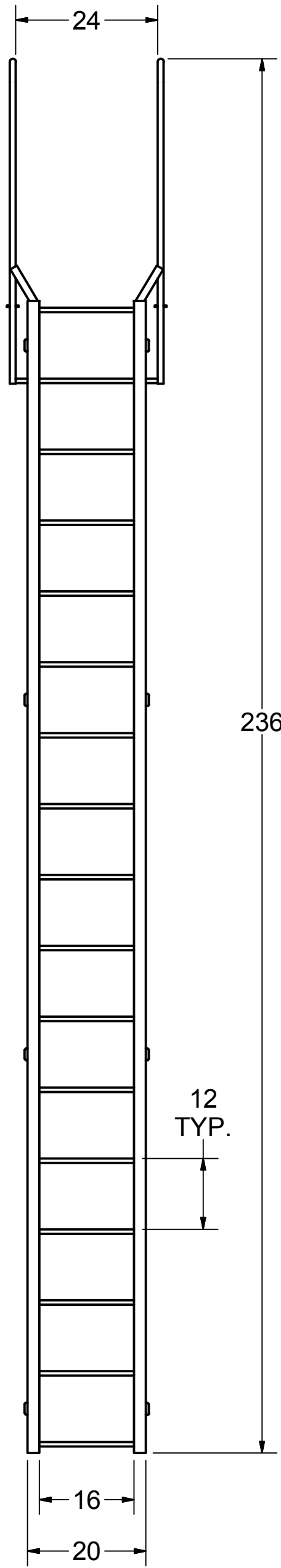


DETAIL A



NOTE:
STANDOFF BRACKET LOCATIONS
ARE ± 1".
DO NOT PREDRILL HOLES IN THE
STRUCTURE.
HOLES SHOULD BE MATCH DRILLED
TO INSURE PROPER ALIGNMENT

3D MODEL AVAILABLE IN STEP FILE FORMAT ON OUR WEBSITE



| | | | |
|-----------------------------------|-----------|--|--|
| DRAWN KJS | 12/4/2017 | | |
| CHECKED | | TITLE | |
| APPROVED | | F17W | |
| PART 3570235 F17W FOR CATALOG | | Drawing is computer generated, and print might not be to scale | |
| | | SIZE C | DWG NO 3570235 F17W FOR CATALOG.dwg |
| | | | REV A |
| DIMENSIONS IN INCHES UNLESS NOTED | | | SHEET 1 OF 1 |