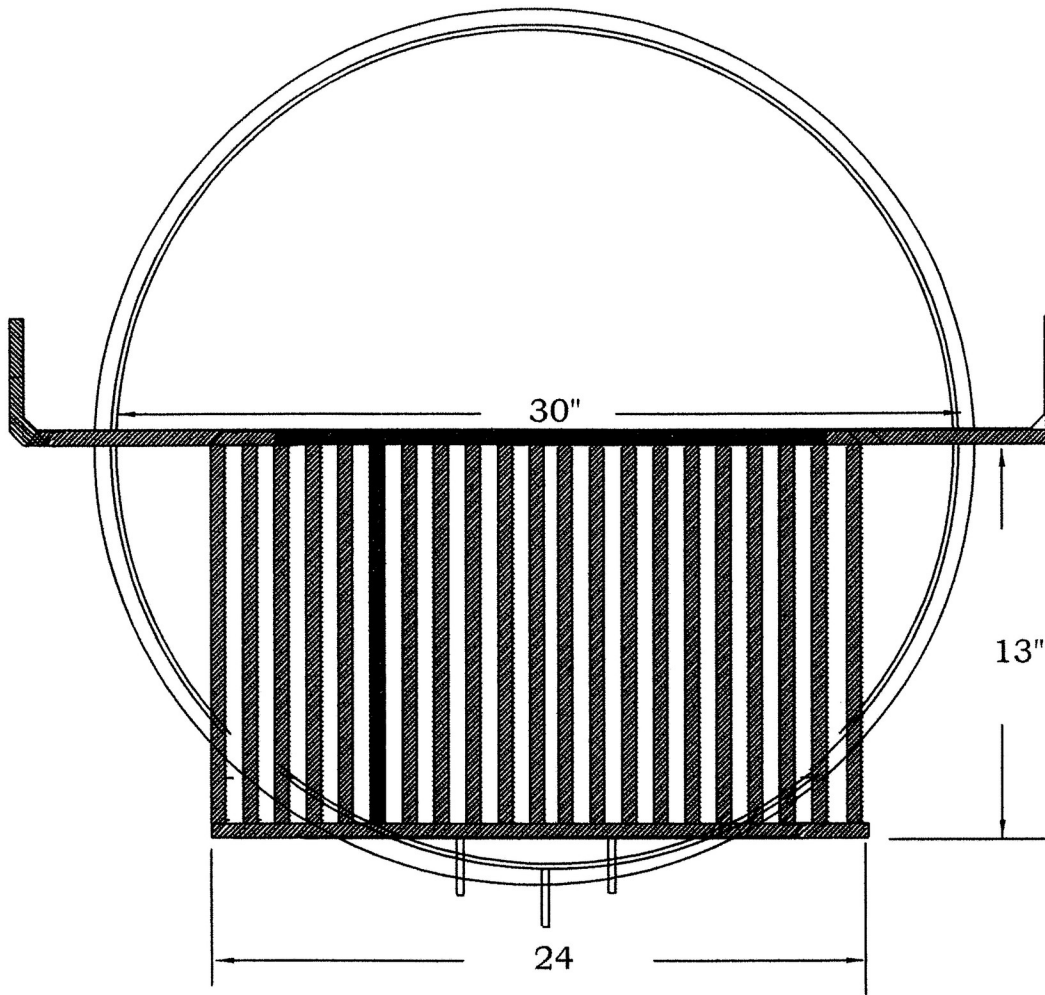
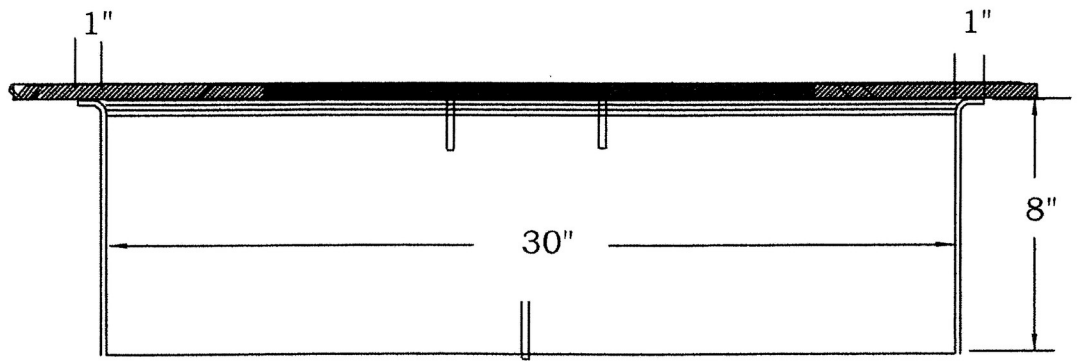


FIRERING

3/16 STEEL PLATE
FORMED INTO A 30" INSIDE DIAMETER
ROLL FORMED 1" FLANGE AT TOP
FINISHED HEIGHT IS 8"

FLANGE IS 1"
ALL SHARP EDGES DEBURED
WELDED SEAM AFTER BEND FORMING
WEIGHT: 42#



FIRERING WITH TIP BACK GRILL

3/16 STEEL PLATE
 GRILL SIZE 13' X 24". 1/2" STEEL ROD
 FORMED INTO A 30" INSIDE DIAMETER
 ROLL FORMED 1" FLANGE AT TOP
 FINISHED HEIGHT IS 8"

FLANGE IS 1"
 ALL SHARP EDGES DEBURED
 WELDED SEAM AFTER BEND FORMING
 ANCHOR STAKE INCLUDED
 WEIGHT: 60#