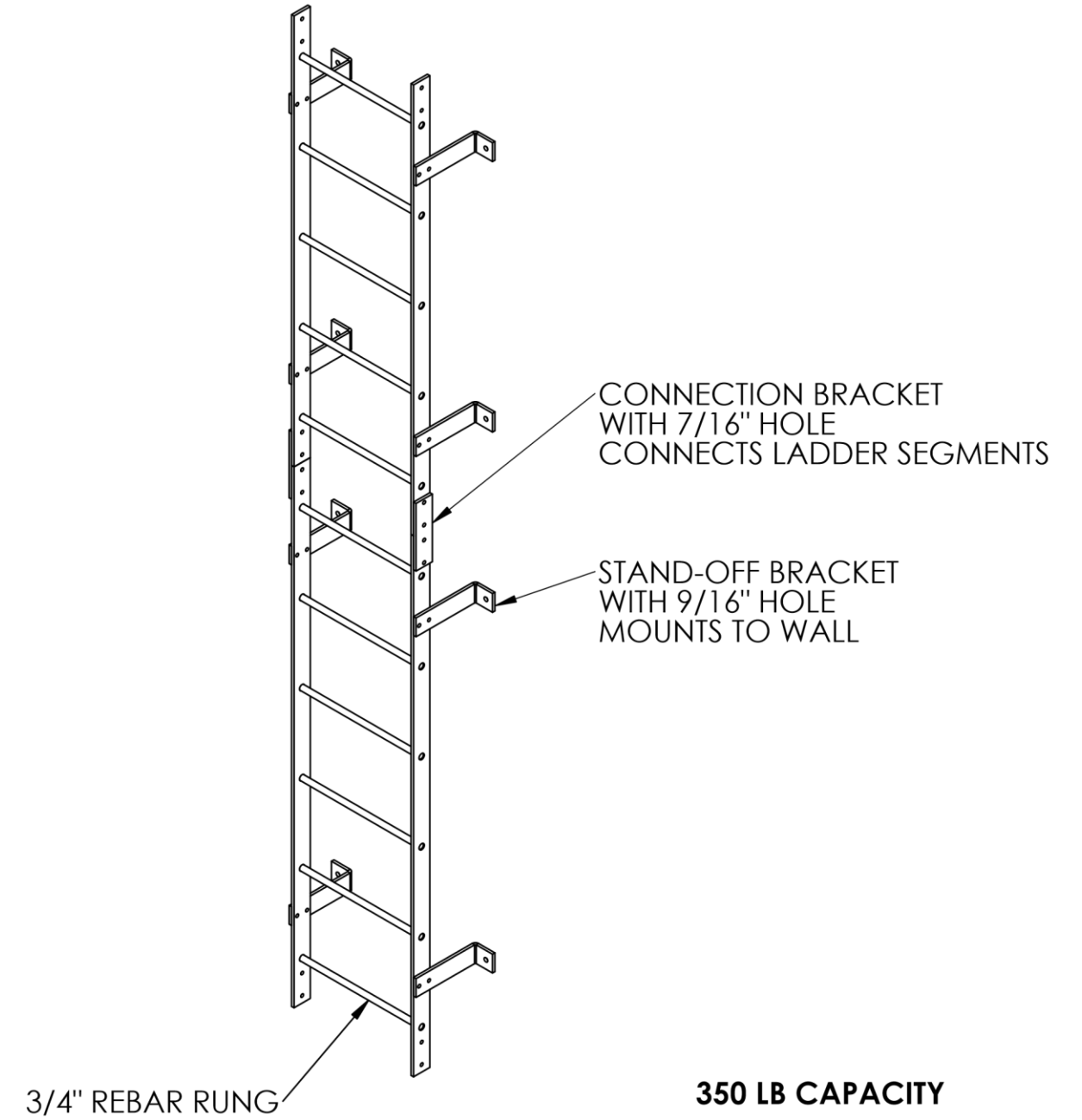
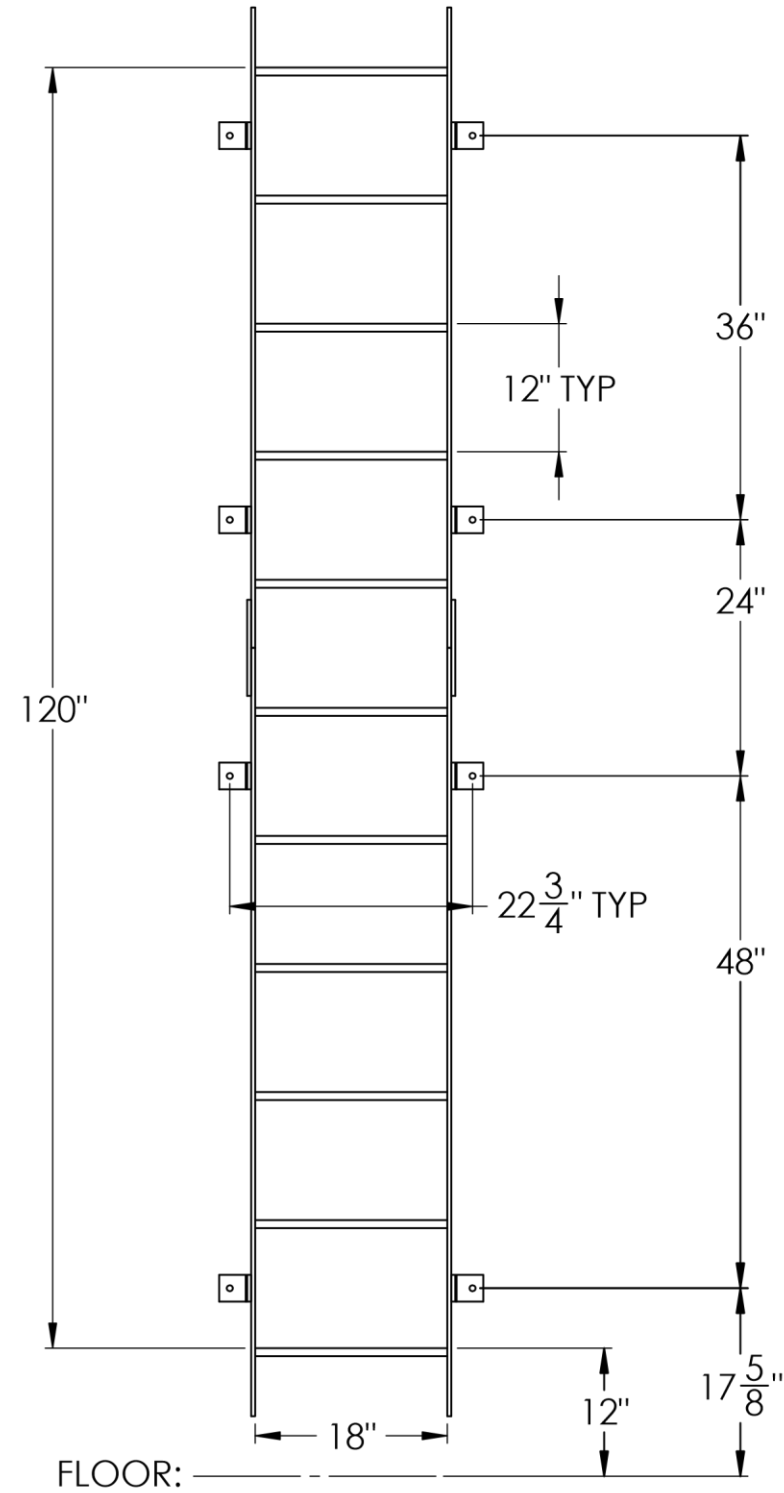
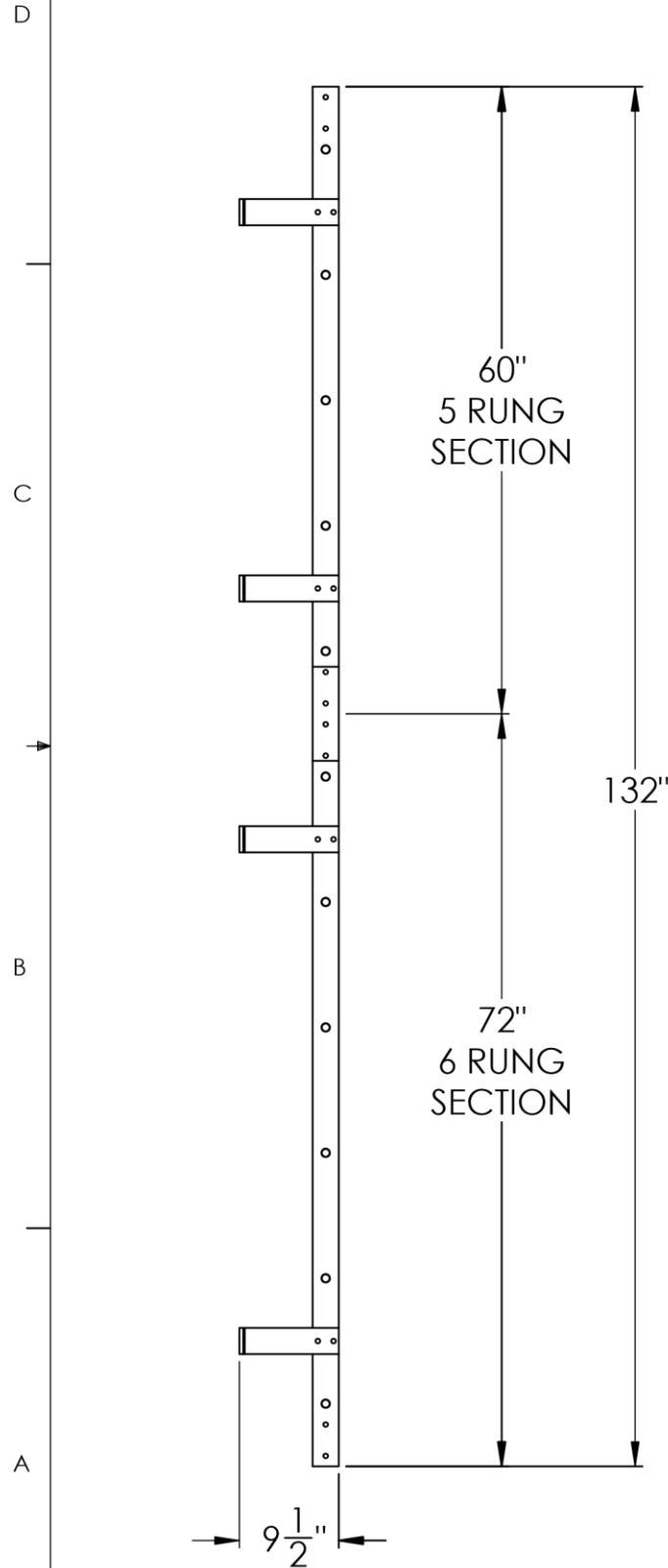


8 7 6 5 4 3 2 1

WLFS0111-Y:

- 1 5-RUNG LADDER SECTION
- 1 6-RUNG LADDER SECTION



APPROVAL SIGNATURE:				TITLE: WLFS0111-Y		
DATE:				SIZE: B		
PROPRIETARY AND CONFIDENTIAL THE INFORMATION CONTAINED IN THIS DRAWING IS THE SOLE PROPERTY OF THE MANUFACTURER. ANY REPRODUCTION IN PART OR AS A WHOLE WITHOUT THE WRITTEN PERMISSION OF THE MANUFACTURER IS PROHIBITED.		LEAD TIME MATERIAL FINISH DO NOT SCALE DRAWING		DWG. NO. WLFS0111-Y		REV
DRAWN KSR	5/24/22	SCALE: 1:18		WEIGHT:		SHEET 1 OF 1

8 7 6 5 4 3 2 1