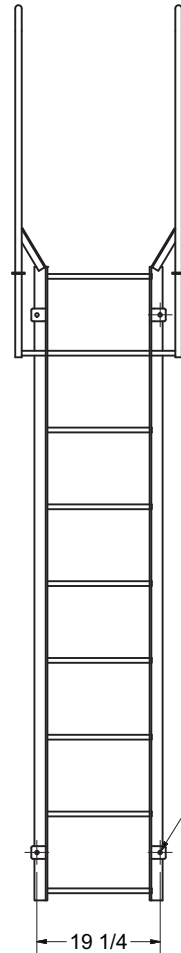
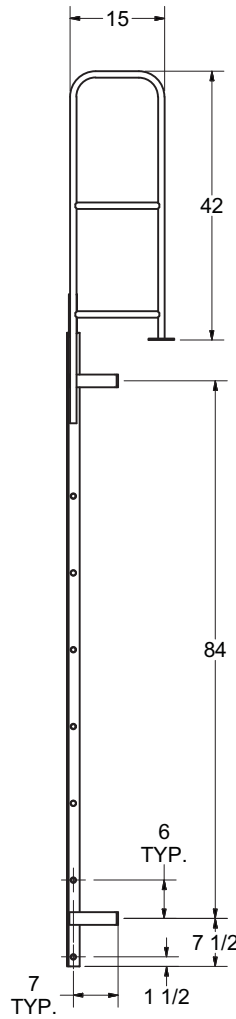
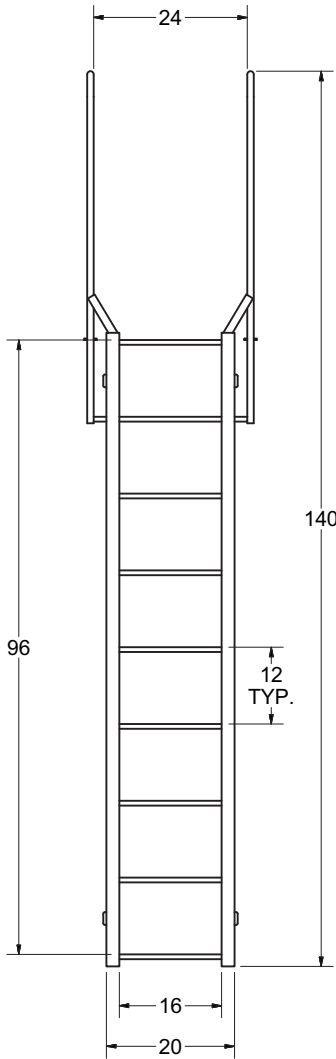


DETAIL A



NOTE:
STANDOFF BRACKET LOCATIONS
ARE $\pm 1"$.
DO NOT PREDRILL HOLES IN THE
STRUCTURE.
HOLES SHOULD BE MATCH DRILLED
TO INSURE PROPER ALIGNMENT

3D MODEL AVAILABLE IN STEP FILE FORMAT ON OUR WEBSITE



| | | |
|--|---------------------------------------|--------------|
| DRAWN KJS | 7/2/2013 | |
| CHECKED | | |
| APPROVED | | TITLE |
| PART 3570227 F9W FOR CATALOG | | F9W |
| Drawing is computer generated, and print might not be to scale | | REV |
| SIZE C | DWG NO 3570227 F9W FOR CATALOG.dwg | A |
| DIMENSIONS IN INCHES UNLESS NOTED | | SHEET 1 OF 1 |